

**HIGH POWER MULTI
AIR CONDITIONER
WALL MOUNTED type**

**SERVICE
MANUAL**

Models	Indoor unit	Outdoor unit
ASU9T		AOU36T
ASU18T		

CONTENTS

SPECIFICATIONS 1
OUTLINE AND DIMENSIONS 2
REFRIGERANT SYSTEM DIAGRAM 4
CIRCUIT DIAGRAM 5
INDOOR PRINTED CIRCUIT BOARD CIRCUIT DIAGRAM 6
OUTDOOR PRINTED CIRCUIT BOARD CIRCUIT DIAGRAM 8
INDOOR P.C. BOARD LAYOUTS 9
OUTDOOR P.C. BOARD LAYOUTS 13
ERROR DISPLAY 14
DISASSEMBLY ILLUSTRATION 15
PARTS LIST 23

S P E C I F I C A T I O N S

TYPE	COOL		
OPERATION	UNIT A1 or A2	UNIT B	3 UNITS
INDOOR UNIT	ASU9T	ASU18T	UNIT A1 + A2 + B
OUTDOOR UNIT	AOU36T		
COOLING CAPACITY (BTU/hr)	11,500 - 12,000	17,500 - 18,000	35,000 - 36,000

ELECTRICAL DATA

POWER SOURCE (V)	208 - 230		
FREQUENCY (Hz)	60		
RUNNING CURRENT (A)	8.3 - 8.0	9.8 - 9.3	17.5 - 16.5
INPUT WATTS (W)	1,730 - 1,810	2,060 - 2,140	3,690 - 3,800
SEER	—	—	11.0
MOISTURE REMOVAL Pts/hr (ℓ/hr)	3.4 (1.6)	4.26 (2.0)	11.1 (5.2)
AIR CIRCULATION-Hi CFM (m³/hr)	312 (530)	471 (800)	3,238 (5,500) (OUTDOOR UNIT)

COMPRESSOR

TYPE	Hermetic type, Permanent split condenser, 2 pole, Single phase, Induction motor		
CODE	RH231NHDT 208 - 230V 60Hz	RH28NSGT 208 - 230V 60Hz	—
REFRIGERANT R-22 lbs (g)	2.64 (1,200)	3.3 (1,500)	—

FAN MOTOR

POWER SOURCE (V)	230			
INDOOR UNIT	HIGH (r.p.m.)	1,350	1,150	—
	MED (r.p.m.)	1,250	1,000	—
	LOW (r.p.m.)	1,150	850	—
	QUIET (r.p.m.)	1,050	—	—
OUTDOOR UNIT (r.p.m.)	790			

DIMENSIONS

INDOOR UNIT	H x W x D inch (mm)	11 (280) x 32-1/8 (815) x 7 (179)	12-19/32 (320) x 49-7/32 (1,250) x 7-11/16 (195)	—
OUTDOOR UNIT		45-11/32 (1,152) x 37-1/32 (940) x 14-9/16 (370)		

WEIGHT

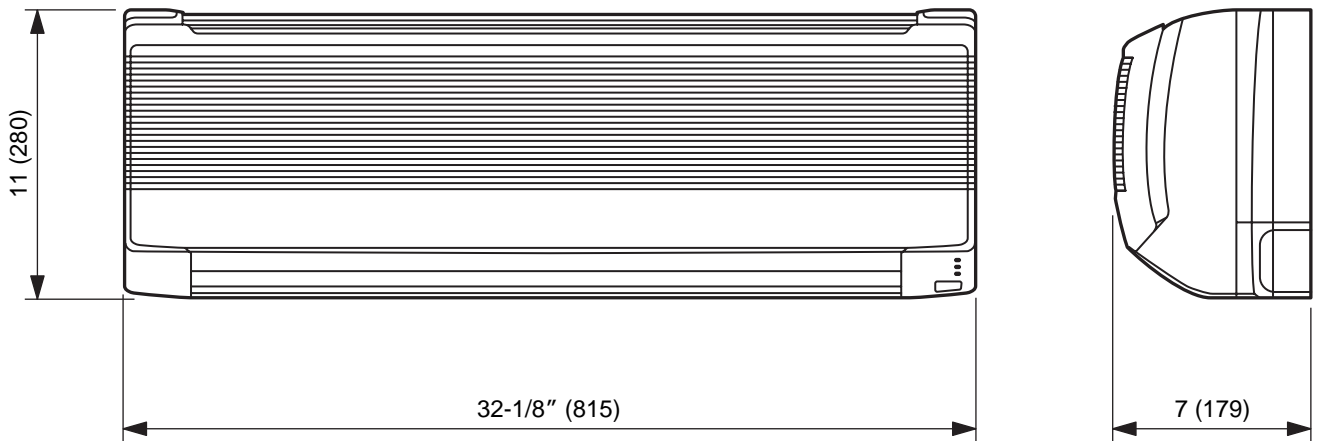
INDOOR UNIT	GROSS / NET lbs (kg)	26.4 / 22 (12 / 10)	55 / 39.6 (25 / 18)	—
OUTDOOR UNIT		250.8 / 220 (114 / 100)		

OUTLINE AND DIMENSIONS

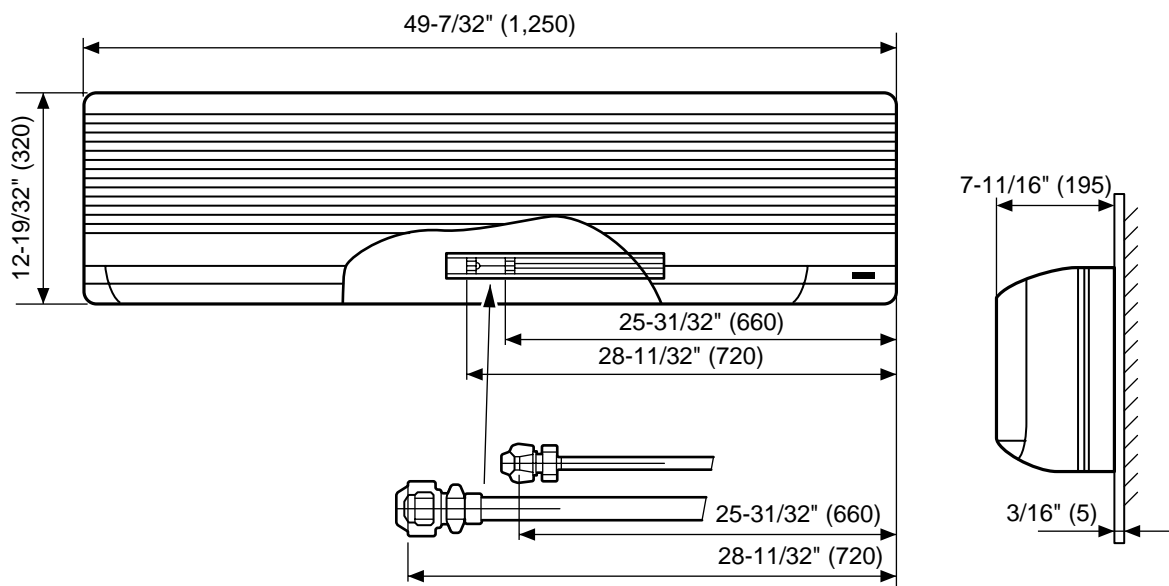
INDOOR UNIT

Unit : inch (mm)

Model : ASU9T



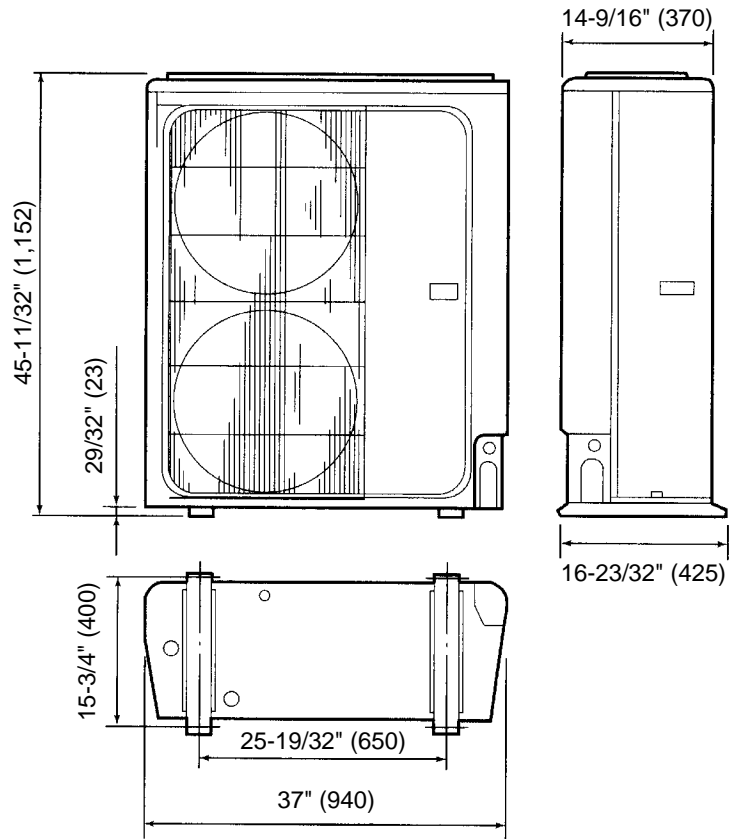
Model : ASU18T



OUTDOOR UNIT

Unit : inch (mm)

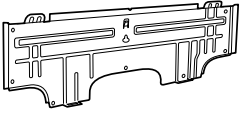
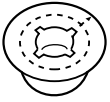
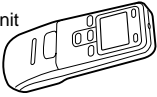

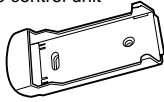
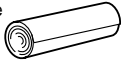
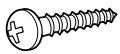
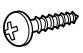

Model : AOU36T



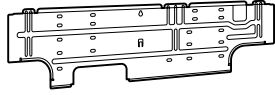
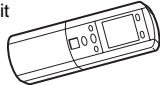
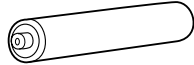
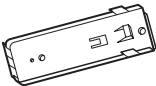


STANDARD ACCESSORIES

INDOOR UNIT ACCESSORIES

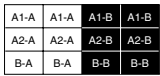


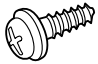
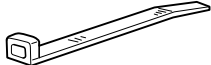

Model : ASU9T

Name and Shape	Q'ty	Part No.
Wall hook bracket 	1	9306588014
Wall cap-B 	1	313714296205
Remote control unit 	1	9309143012
Battery (penlight) 	2	0600185534
Remote control unit holder 	1	9305642014
Cloth tape 	1	9308117007
Tapping screw (big) (ø4 x 25) 	8	0700076046
Tapping screw (small) (ø3 x 12) 	2	0700019036
Seal-A 	1	9304536000

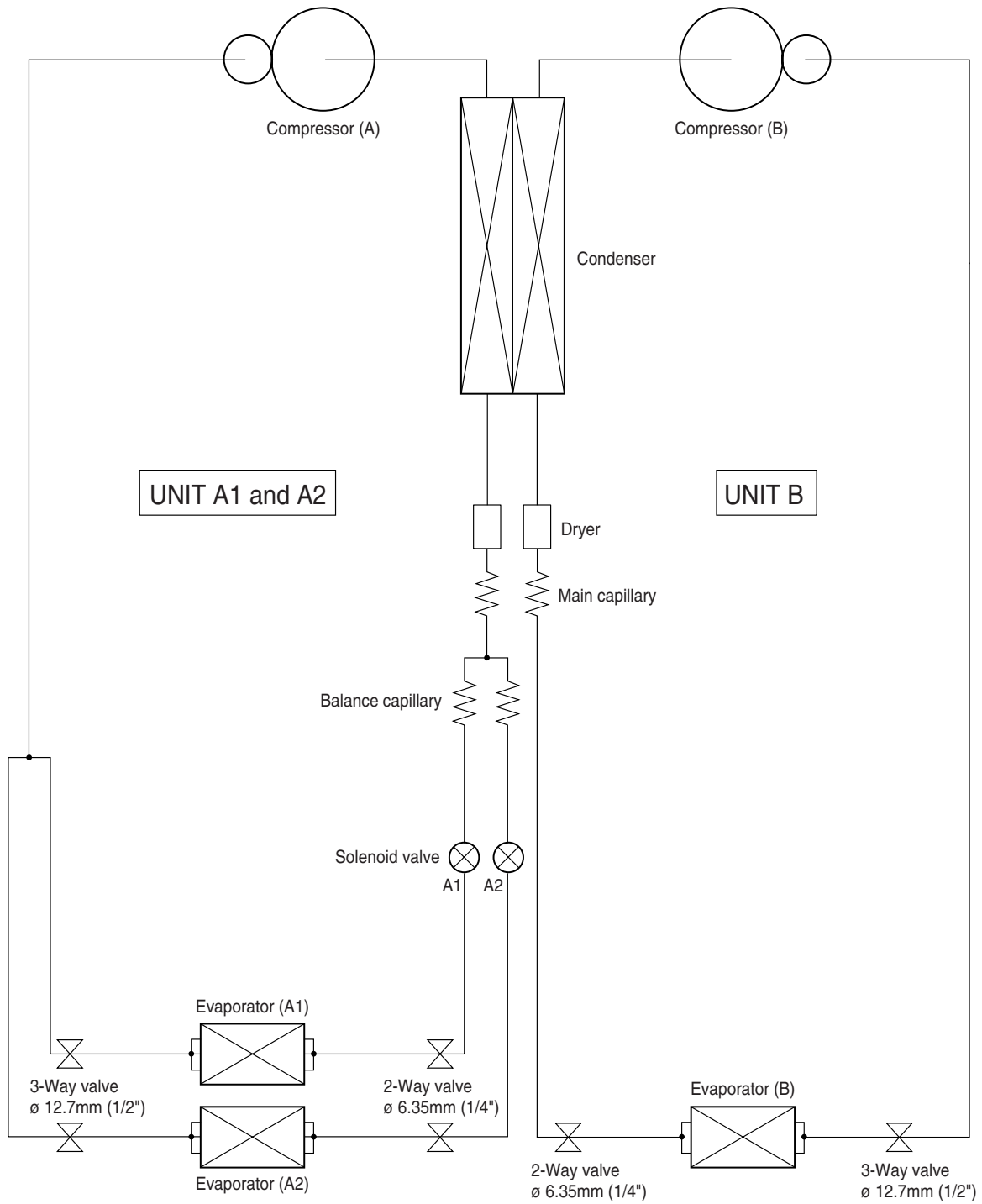
Model : ASU18T

Name and Shape	Q'ty	Part No.
Wall hook bracket 	1	9357952000
Remote control unit 	1	9359913108
Battery (penlight) 	4	0600185534
Remote control unit holder 	1	9359955016
Tapping screw (big) (ø4 x 20) 	12	301141164200
Tapping screw (small) (ø3 x 12) 	2	0700019036

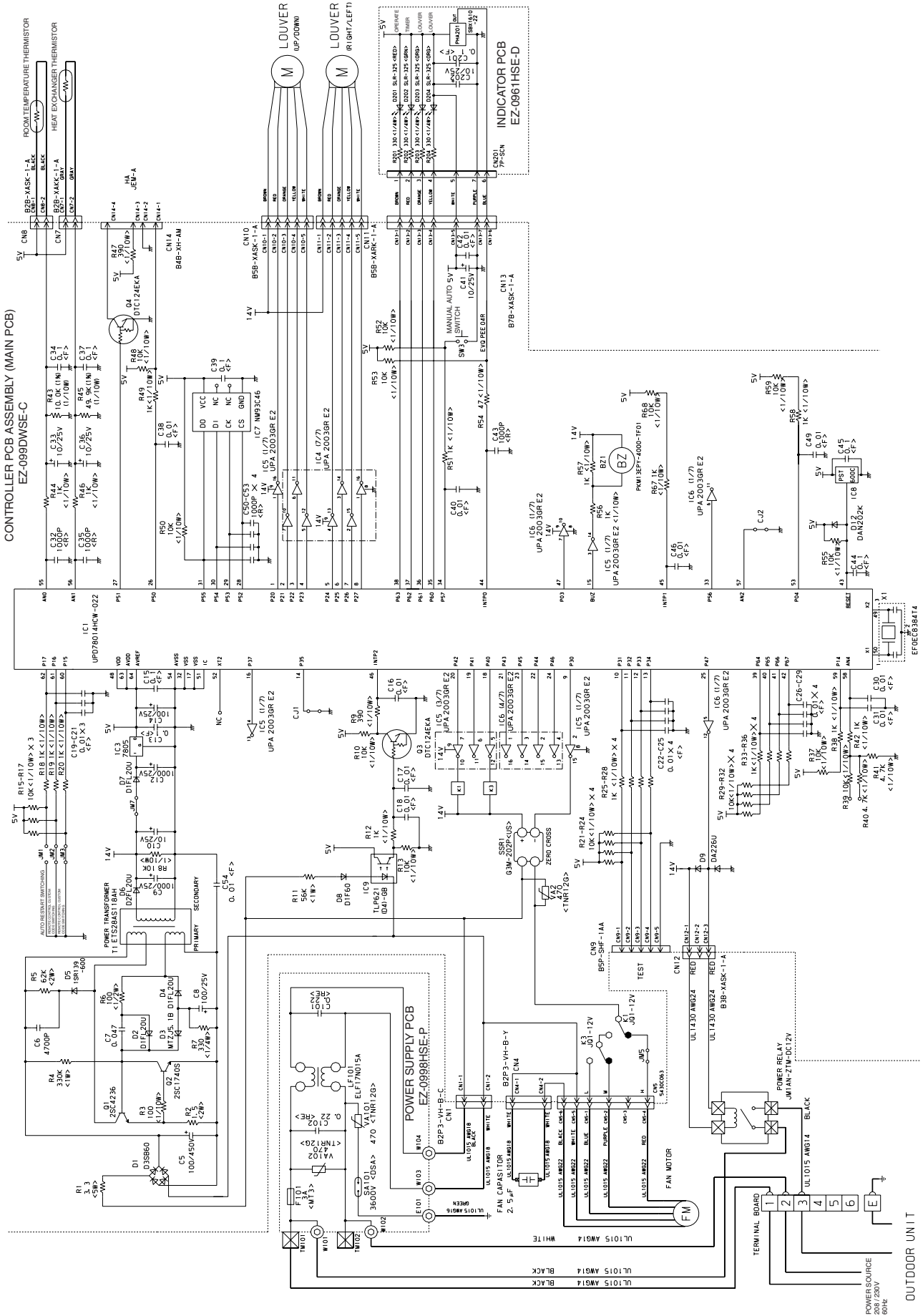
OUTDOOR UNIT ACCESSORIES

Name and Shape	Q'ty	Part No.
Cable mark 	1	9366806004
Hexagon wrench 	1	9351228019
Edge cover 	1	9352436000
Tapping screw 	2	301463040100
Binder 	1	9301501001
Putty 	1	303020200114

REFRIGERANT SYSTEM DIAGRAM



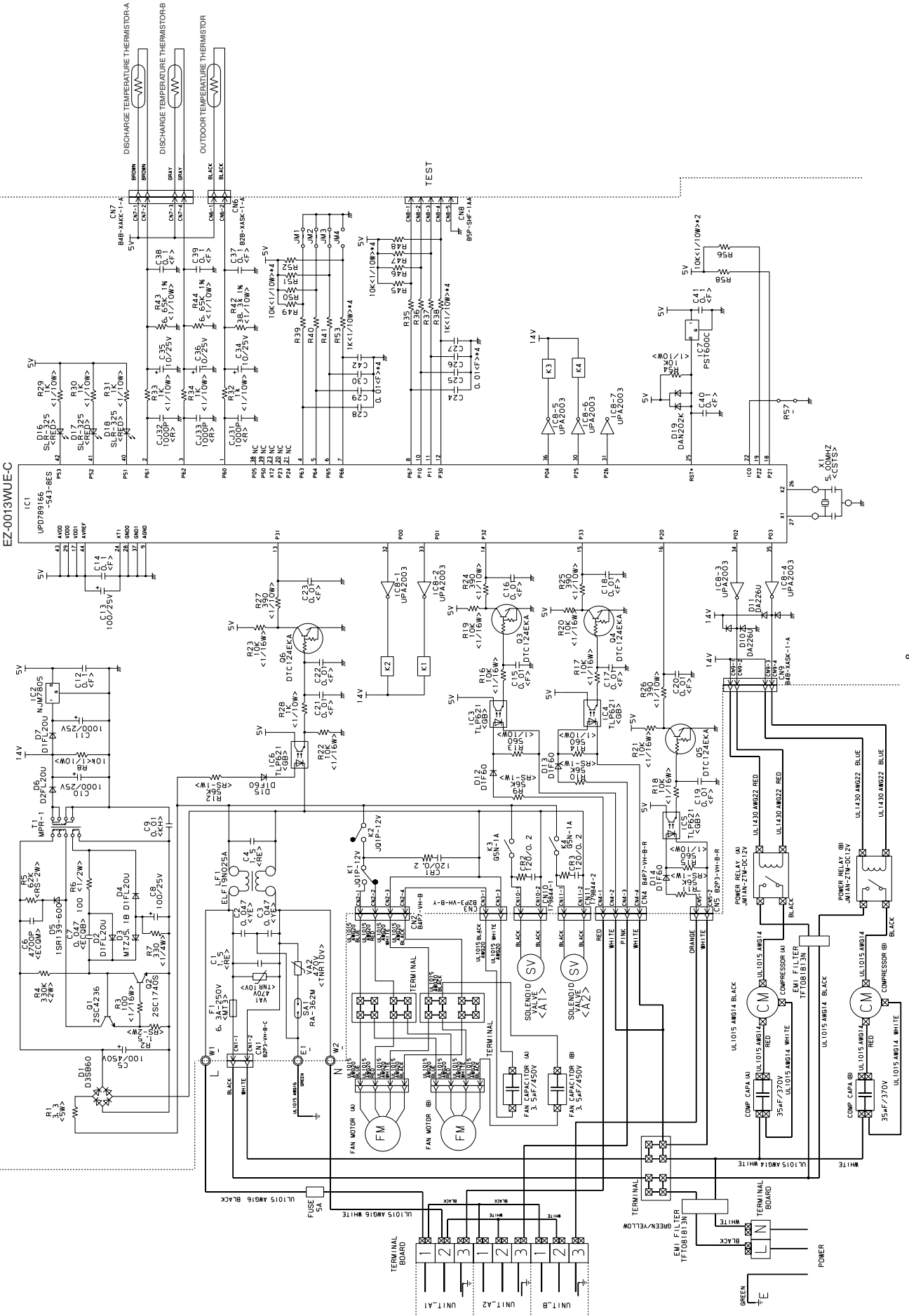
Model : ASU18T



OUTDOOR PRINTED CIRCUIT BOARD CIRCUIT DIAGRAM

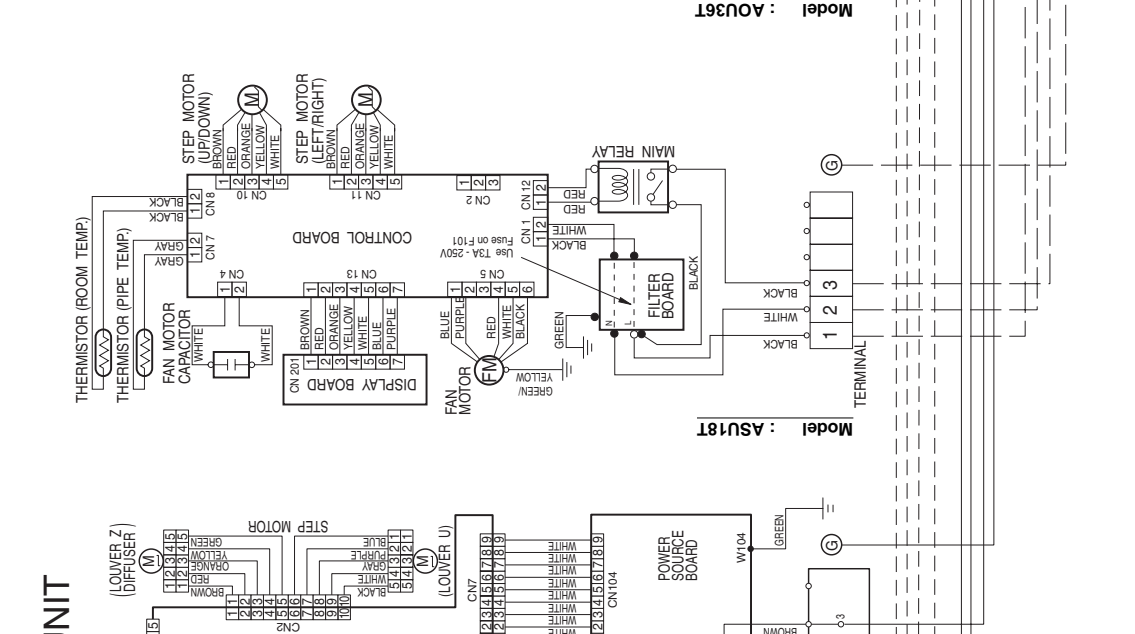
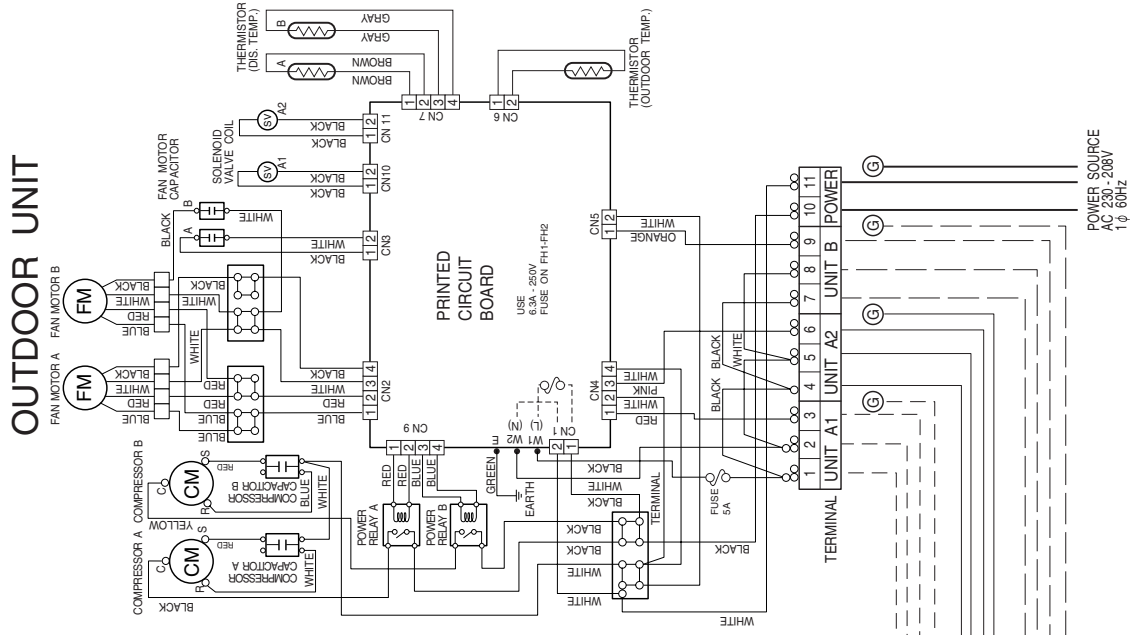
Model : AOU36T

CONTROLLER PCB ASSEMBLY (MAIN PCB)



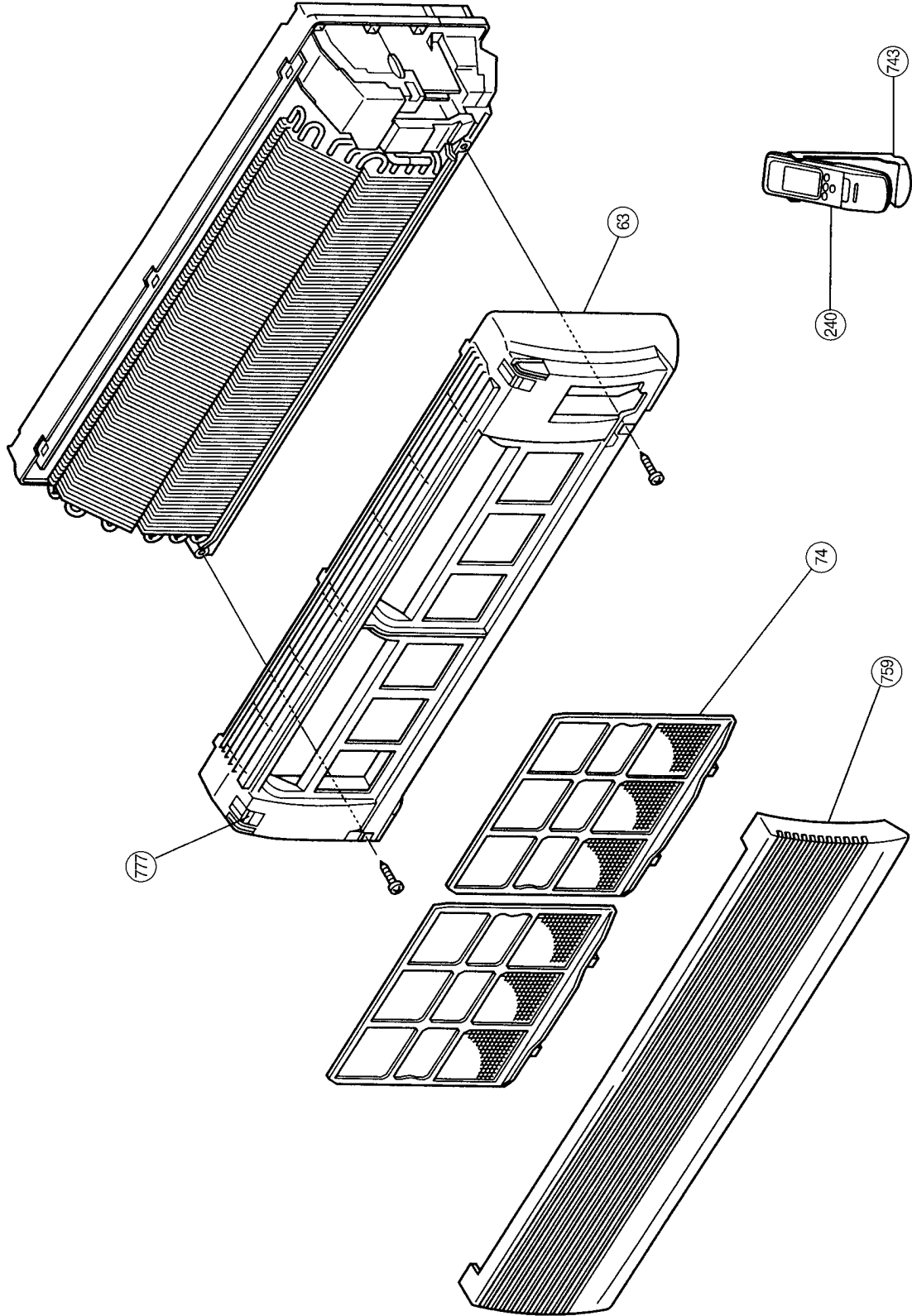
CIRCUIT DIAGRAM

Models : ASU9T x 2 / AOU36T
ASU18T

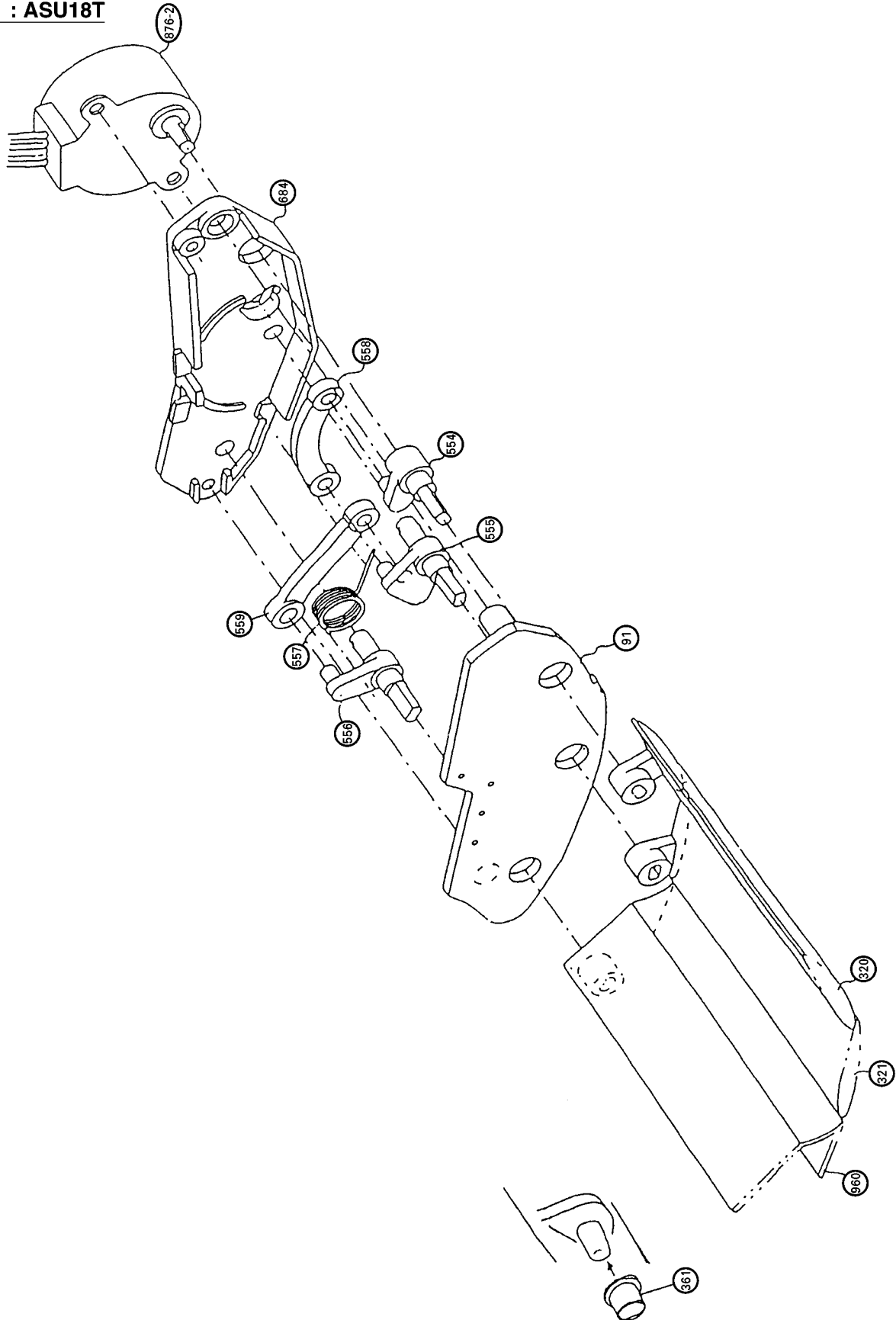


DISASSEMBLY ILLUSTRATION

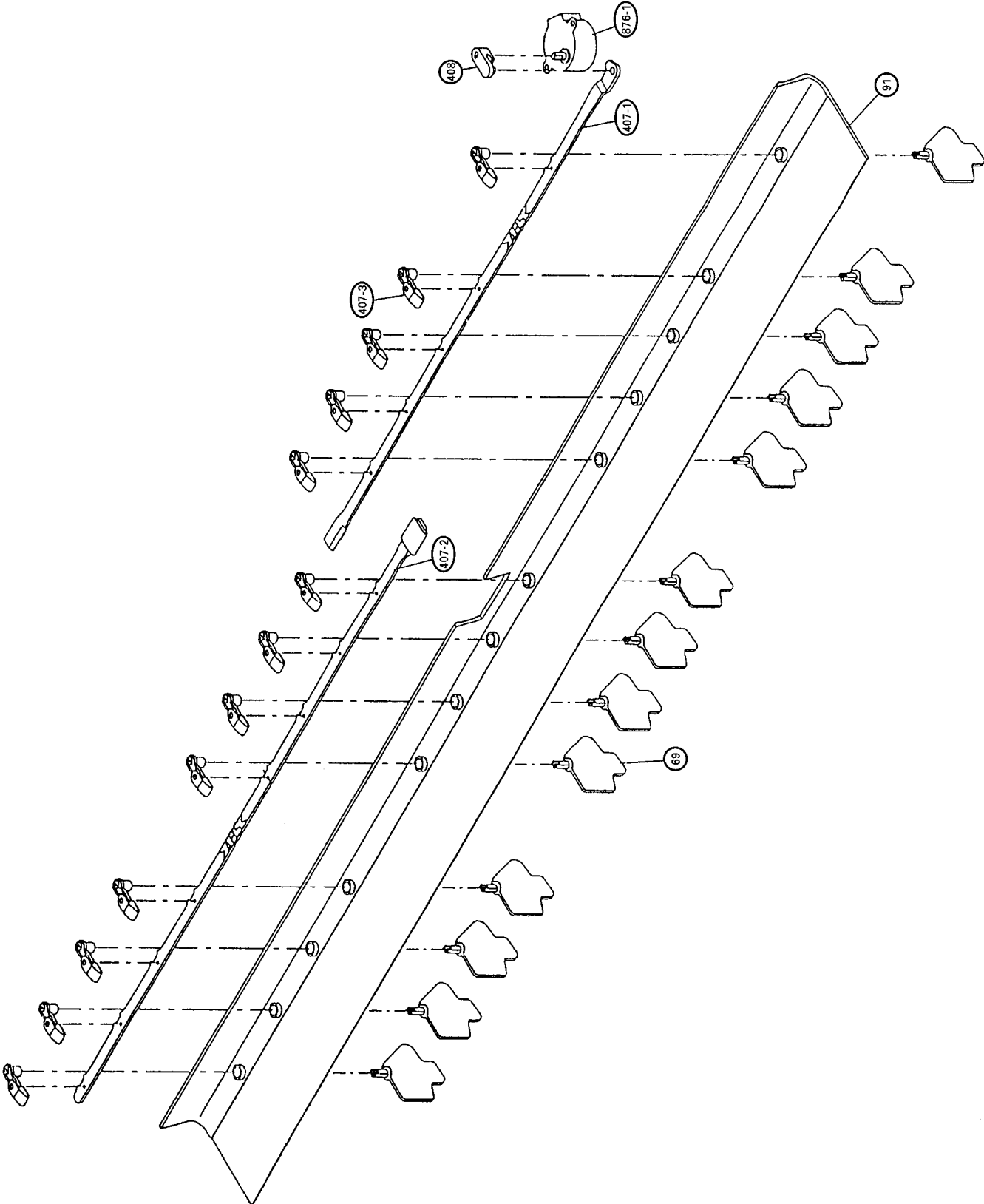
Model : ASU9T



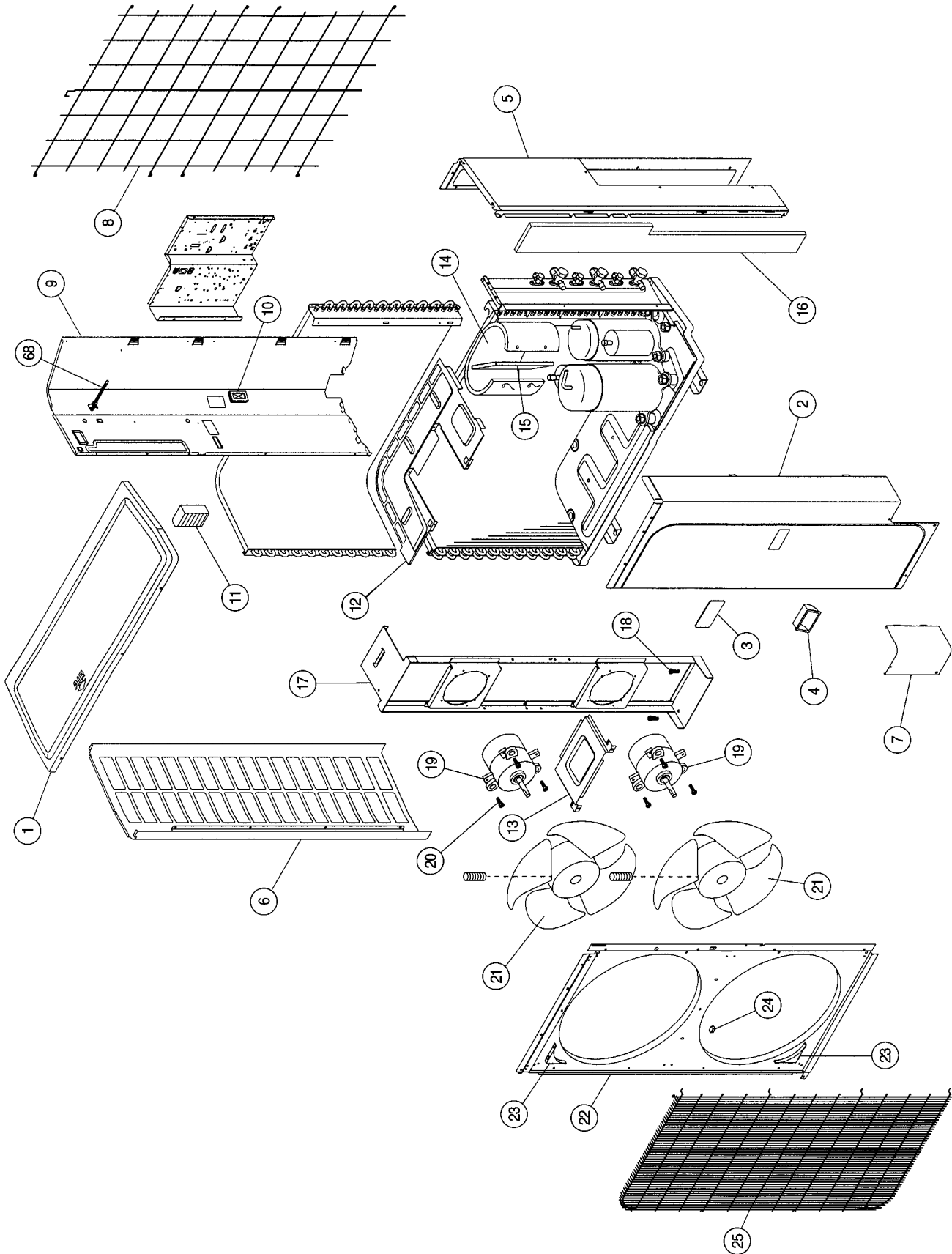
Model : ASU18T



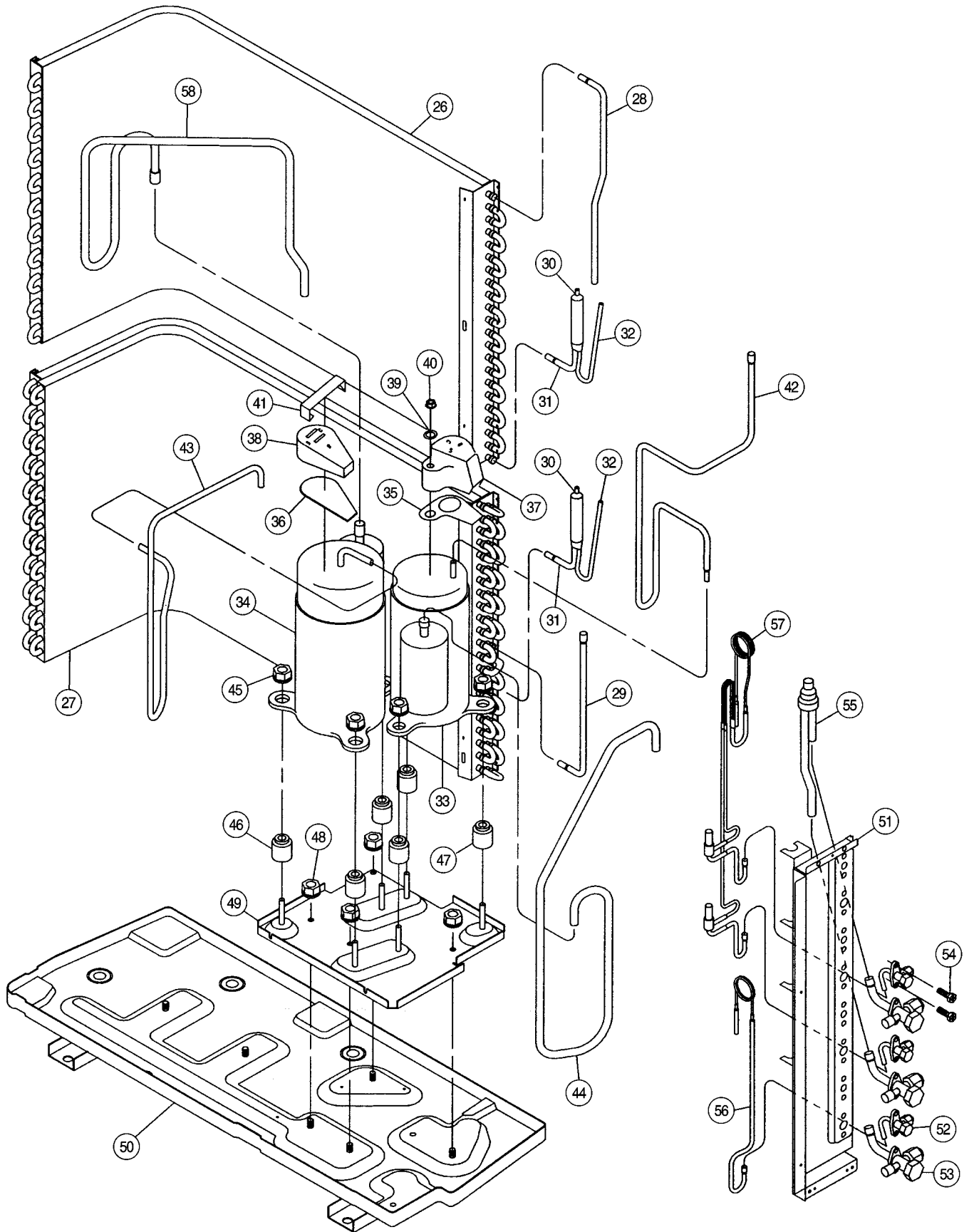
Model : ASU18T



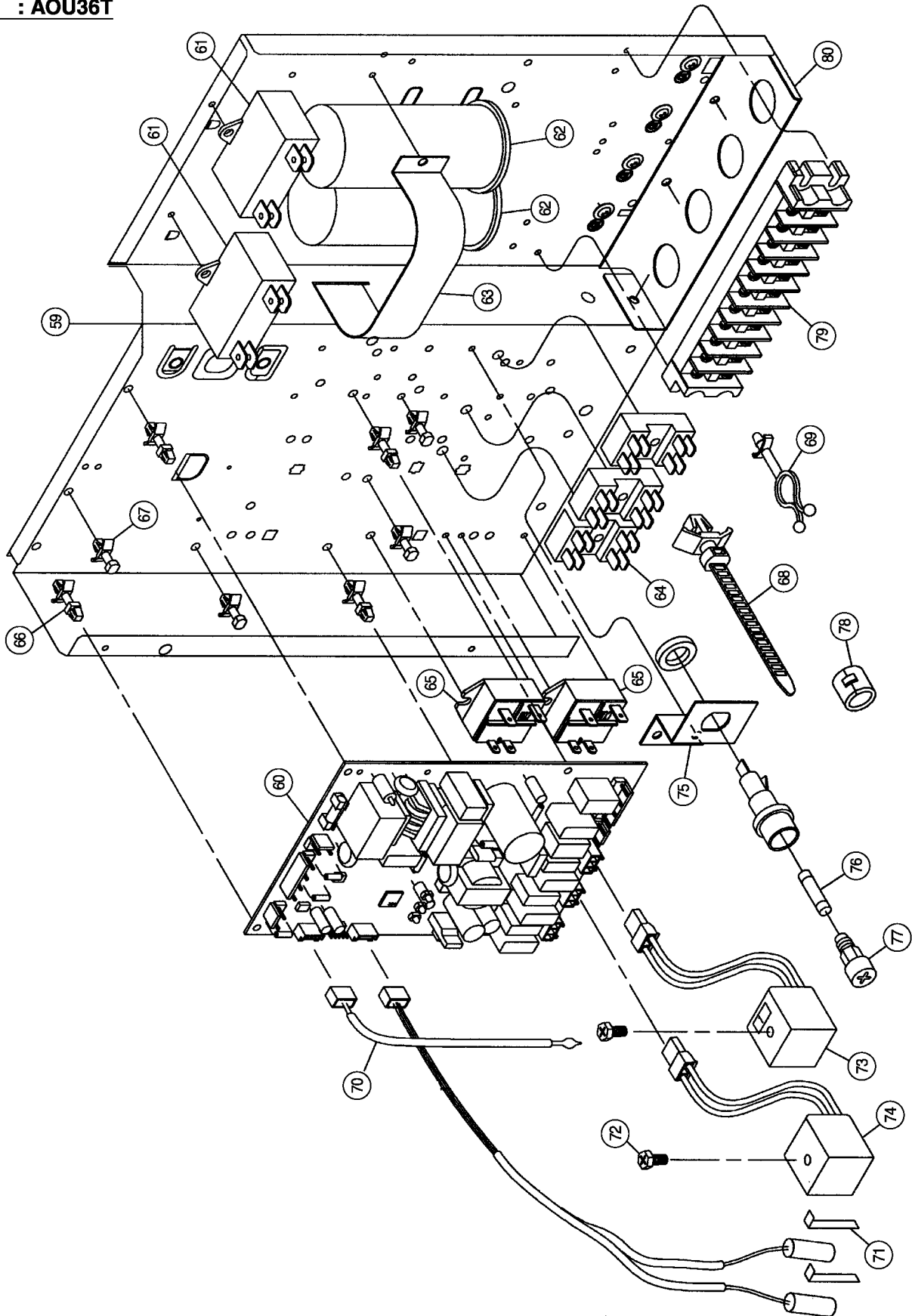
Model : AOU36T



Model : AOU36T



Model : AOU36T



P A R T S L I S T

When you order parts, please make a photocopy of this page
and fill the number of the parts in the "Order" column.

INDOOR UNIT (ASU9T)

Ref. No.	Description	Part No.	Ord. Q'ty	Ref. No.	Description	Part No.	Ord. Q'ty
26	BR Sheet 40 x 80 x T5	9305039043		268	Motor Cover-B	9306582012	
32-1	Control Box-A	9309045019		273	Lamp Cover Holder	9309048010	
32-2	Control Box-B	9309046016		281	Clamp Metal Pipe	9306607012	
32-3	Control Box-C	9309055018		323	Louver-B	9306584016	
41	Fan Motor Assy-In (MFA-09GP)	9600881026		401	Wall Hook Bracket	9306588014	
63	Front Panel Assy w/o Filter	9306817176		440	Flow Control Panel-U	9306570019	
64	Capacitor (Fan Motor) 7uF / 200V	9700468103		557	Diffuser Spring	9306611019	
65	Flow Control Panel-Z	9306571016		652-1	Thermistor Holder Pipe	313714262805	
69	Louver-A	9306583019		743	Remote Control Unit Holder Case	9305642014	
74	Filter	9306601010		759	Intake Grille Assy	9307130052	
89	Casing Fixture Metal	9307018008		764	Drain Cap Assy	9304150008	
92	Link Plate	9306577018		767-1	Bottom Cover-A	9306567019	
93	Link-A	9306573010		777	Intake Grille Clamp	9306755010	
94	Link-B	9306574017		796	Control Box-D	9309049017	
95	Link-C	9306575014		815	Terminal-4P	9703455018	
96	Link-D	9306576011		873	Lamp Cover	9306593025	
102	Link Spring	9306610012		875	Power Supply PCB Assy	9704634016	
108	Base Sub Assy	9306830014			EZ-00108WSE-P		
109	Casing	9306569013		876-1	Step Motor	9305780006	
127	Drain Hose Assy	9305550029		876-2	Step Motor	9305892006	
133	Evaporator Cover	9306606015		960	Diffuser Assy	9307692017	
146	Evaporator Assy	9308200013		962-1	Guard Holder-L	9307229015	
158	Connecting Pipe Assy	9308100016		962-2	Guard Holder-R	9307228018	
169	Cross-flow Fan Assy	9307836015		963	Fan Guard	9305751020	
178	Motor Cushion-A (Fan MOTOR)	9303528006		B	Screw (w / Spring Washer)	0700179013	
184-1	Thermistor Spring-A	313728262708		C	Control Box Assy	9309044012	
189	Shaft Holder-C	9306628017		D	Control Box Cover-A	9309039018	
217	Capacitor Holder	9309047013		E	Control Box Cover-B	9309040014	
236	Controller PCB Assy EZ-00108WSE-F	9704642011		F	Control Box Cover-C	9309041011	
				G	Control Box Cover-D	9309042018	
240	Remote Control Unit AR-FB2	9309143012		H	Conduit Holder	9309043015	

When you order parts, please make a photocopy of this page and fill the number of the parts in the "Order" column.

INDOOR UNIT (ASU18T)

Ref. No.	Description	Part No.	Ord. Q'ty	Ref. No.	Description	Part No.	Ord. Q'ty
34	Capacitor, Fan Motor	9700468073		431	Fixture-A	313546156408	
63	Panel (Front) Total Assy	9358181010		554	Flap Link-Upper	9357924007	
69	Louver	9357933016		555	Flap Link-Lower	9357925004	
91	Hinge Plate	9361281011		556	Diffuser Link	9357926001	
93	Air Filter	9357897011		557	Diffuser Spring	9357947006	
108	Base	9357948010		558	Rod-A	9357927008	
109	Casing Assy	9358182116		559	Rod-B	9357928005	
117-2	Rouver (Vibration Proof)	9361237001		652-1	Thermistor Holder Pipe	313806262805	
122	Shaft Holder-B	9357921006		679	Cover (Pipe)	9357916019	
127	Drain Hose Assy	9364231006		683	Balance Spring	9358151006	
146	Evaporator Assy	9361995000		684	Motor Base	9357929002	
158	Joint Pipe Assy-E	9369732003		686	Holder (Relay)	9362203012	
164	Fan Motor Assy-in	9600872000		731-2	Holder (Guide Rail)	9600241018	
184-1	Thermistor Spring-A	313728262708		743	Remote Control Unit Holder	9359955016	
210	Main Relay	9356781007		755	Cover (Casing)-L	9363786019	
223	Control Box	9362200011		756	Cover (Casing)-B	9363787016	
224	Switch Holder	9362204019		759	Intake Grille-F	9357896014	
234	Thermistor Assy	9701946013		761	Cover (Side)-R	9357901015	
235	Thermistor Assy-Pipe	9701947010		762	Cover (Side)-L	9357902012	
236	Controller PCB Assy	9703232015		767-1	Bottom Cover-A	9357949017	
240	Remote Control Unit	9359913108		767-2	Bottom Cover-B	9357950013	
251	Bracket (Hose)-B	9362208017		776	Hook (Grille)-R	9357986012	
273	Holder (Lamp)	9357958002		777	Hook (Grille)-L	9357985015	
320	Flap (Upper)-F	9357938011		815	Terminal-6P	9357123042	
321	Flap (Lower)	9357940014		850	Receiver Window	9357917016	
325	Cross Flow Fan-R Assy	9357918006		853	Indicator PCB Holder	9362202015	
326	Cross Flow Fan-L Assy	9357919003		875	Filter PCB Assy	9703096013	
361	Bushing	9357942001		876-1	Step Motor-H	9703229015	
385	Indicator PCB Assy	9701869015		876-2	Step Motor-V	9703229022	
394	Bracket, Panel (Pipe)	9357951003		925	Panel (Eva. Right)-B	9357909004	
401	Bracket, Panel	9357952000		938	Control Box Cover	9362201018	
407-1	Motor Rod	9357931005		958	Bracket, Panel (Eva.)	9358626009	
407-2	Louver Rod	9357932002		960	Diffuser	9357941011	
407-3	Louver Stopper	9357934006		963	Fan Guard	9357936000	
408	Louver Link	9357935003		976	Display Window	9357903019	

When you order parts, please make a photocopy of this page and fill the number of the parts in the "Order" column.

OUTDOOR UNIT (AOU36T)

Ref. No.	Description	Part No.	Ord. Q'ty	Ref. No.	Description	Part No.	Ord. Q'ty
1	Cabinet Top Plate Painted	9352161018		42	Discharge Pipe-A Assy	9369692000	
2	Cabinet-A, Painted (Front)	9352146015		43	Discharge Pipe-B Assy	9369695001	
3	Emblem-Rear (FUJITSU)	9351355005		44	Suction Pipe-A	9369698002	
4	Grip	9352157004		45	Special Nut (For Comp.)	313252257701	
5	Cabinet-B, Painted	9354380011		46	Rubber Mount (For Comp.)	9362368001	
6	Cabinet-C, Painted	9352149016		47	Rubber Seat-A (For Comp.)	9358080009	
7	Cabinet-D, Painted	9352150012		48	Special Washer M6	313306391007	
8	Protection Net	9352163012			D22 x D6.5 x T1.6		
9	Separate Wall Assy	9354740013		49	Comp Plate Assy	9369413018	
10	Rubber Bushing	313005066051		50	Base Assy, Painted	9358143025	
11	Bracket (Thermistor)	313557406106		51	Bracket (3-Way Valve) Painted	9354376014	
12	Separate Wall-A	9354378001		52	Packed Valve (1/2)	9367654000	
13	Separate Wall-B	9354379008		53	Packed Valve (1/4)	9367655007	
14	Compressor Cover-A	9364595009		54	Bolt, Hex. Socket +M6 x 12	301210060360	
15	Compressor Cover-B	9364596006		55	Blanch Pipe Assy	9369702006	
16	Compressor Cover-E	9367777006		56	Capillary-C Assy	9369701009	
17	Bracket (Motor) Assy	9352141003		57	Solenoid Valve Assy	9369700002	
18	Screw (Hex.)	9350001019		58	Suction Pipe-B	9369699009	
19	Fan Motor Assy-Out	9600832066		59	Control Box	9369417016	
20	Bolt, (Fan Motor Fixing)	0700156014		60	Controller PCB Assy	9704031037	
					EZ-0013WUE-C		
21	Propeller Fan Assy	9300855013		61	Capacitor (Fan Motor) 3.5uF/450V	9357965024	
22	Blower Cover, Painted	9352151033		62	Running Capacitor 35uF/370V	9357211060	
23	Blower Cover Corner	9352160011		63	Capacitor Band (For D45)	9352123009	
24	Fan Cover Fixture-A	9352158018		64	Terminal-2P	9701971015	
25	Fan Cover	9359150015		65	Main Relay JM1AN-ZTM-DC12V	9356781007	
26	Condenser-A Assy	9369690006		66	Locking Spacer KGLS-8S	0600035020	
27	Condenser-B Assy	9369691003		67	Locking Spacer KGPS-8S	0600118051	
28	Discharge Pipe-A2	9369694004		68	Clamp No. 1259	313739340109	
29	Discharge Pipe-B2	9369697005		69	Clamp No. 617	9355050005	
30	Dryer	9368116019		70	Thermistor Assy-Outdoor	9701946068	
31	Outlet Pipe-A D9.53 T0.7	9366800002		71	Thermo. Spring-A	313728262708	
32	Process Pipe OD6.35 T0.7	9369485015		72	Screw For Solenoid M5 x 6	9353839008	
33	Compressor Assy RH231NHDT	9369689000		73	Solenoid LD29005A	9900083014	
34	Compressor Assy PH28NSGT	9364578002		74	Solenoid LD29005B	9900083021	
35	Terminal Packing (For Comp.)	9358077009		75	Bracket (Fuse) Metal	9359149002	
36	Terminal Gasket (For Comp.)	9362370004		76	Fuse 5A-250V	0600106522	
37	Terminal Cover (For Comp.)	9362369008		77	Fuse Holder	0500802111	
38	Terminal Cover (For Comp.)	9358076002		78	EMI Filter	0400287025	
39	Rubber Washer	9358078006		79	Label (TML)-11P	9369571008	
40	Special Nut, Flange (For Comp.)	9358079003		80	UL Plate	9369414008	
41	Strap (For Comp.)	9362371001					

Parts Orders

Parts maybe ordered from

FUJITSU GENERAL AMERICA, INC

353 RTE 46 W.

FAIRFIELD NJ 07004 PHONE 1-973-575-0380

FAX 1-973-575-2194

Specify complete Parts No., Model & Description to ensure correct parts are supplied.

FUJITSU GENERAL AMERICA, INC.
353 ROUTE 46W., FAIRFIELD, N.J. 07004