

**SPLIT TYPE ROOM AIR  
CONDITIONER  
WALL MOUNTED type**

**SERVICE  
MANUAL**

Models	Indoor unit	Outdoor unit
	ASU18C1	AOU18C1
	ASU18R1	AOU18R1
	ASU24C1	AOU24C1
	ASU24R1	AOU24R1
	ASU30C1	AOU30C1

**C O N T E N T S**

SPECIFICATIONS.....	1
OUTLINE AND DIMENSIONS.....	2
REFRIGERANT SYSTEM DIAGRAM.....	3
CIRCUIT DIAGRAM.....	6
P. C. BOARD LAYOUTS.....	12
DISASSEMBLY ILLUSTRATION.....	15
PARTS LIST.....	26

FUJITSU GENERAL LIMITED

# S P E C I F I C A T I O N S

TYPE		COOL	COOL & HEAT	COOL	COOL & HEAT	COOL
INDOOR UNIT		ASU18C1	ASU18R1	ASU24C1	ASU24R1	ASU30C1
OUTDOOR UNIT		AOU18C1	AOU18R1	AOU24C1	AOU24R1	AOU30C1
COOLING CAPACITY	(BTU / h)	18,000 - 17,000	17,500 - 16,500	23,000 - 22,500	23,000 - 22,500	29,500 - 28,700
HEATING CAPACITY	(BTU / h)	—	18,000 - 17,500	—	23,500 - 22,500	—

## ELECTRICAL DATA

POWER SOURCE	(V)	230 / 208				
FREQUENCY	(Hz)	60				
RUNNING CURRENT (A)	COOLING	7.6 - 8.2	7.8 - 8.5	10.0 - 10.8	9.9 - 10.7	15.0 - 16.0
	HEATING	—	7.2 - 7.5	—	8.9 - 9.7	—
INPUT WATTS (kW)	COOLING	1.70 - 1.65	1.75 - 1.71	2.20 - 2.15	2.23 - 2.19	3.15 - 3.05
	HEATING	—	1.58 - 1.53	—	2.02 - 1.98	—
EER (BTU / h·W)	COOLING	10.6 - 10.3	10.0 - 9.65	10.5 - 10.5	10.3 - 10.3	9.37 - 9.41
	HEATING	—	11.3 - 11.4	—	11.6 - 11.4	—
MOISTURE REMOVAL	(ℓ / hr)	2.0	1.8	2.7	2.7	4.3
AIR CIRCULATION-HI	(m <sup>3</sup> /hr)	800	800	1,100	1,100	1,100

## COMPRESSOR

TYPE	Hermetic type, Permanent split condenser, 2 pole, Single phase, Induction motor						
CODE	H25B18QABCA	H25B18QABCA	H25B24QABCA	H25B24QABCA	H25B35QABCA		
REFRIGERANT	R-22	(g)	1,700	2,250	2,200	2,350	1,900

## FAN MOTOR

POWER SOURCE	(V)	230 / 208				
INDOOR UNIT	TYPE	MFA-18FPH	MFA-18FPH	MFA-30FPH	MFA-30FPH	MFA-30FPH
	HI-SPEED (r.p.m.)	960 - 870	960 - 870	1,260 - 1,160	1,260 - 1,160	1,260 - 1,160
	MED-SPEED (r.p.m.)	840 - 750	840 - 750	1,130 - 1,030	1,130 - 1,030	1,130 - 1,030
	LO-SPEED (r.p.m.)	720 - 580	720 - 580	990 - 870	990 - 870	990 - 870
OUTDOOR UNIT	TYPE	MFB-24FP	MFB-24FP	MFB-24FP	MFB-24FP	MFB-30BP
	(r.p.m.)	735	735	735	735	790

## DIMENSIONS

INDOOR UNIT	HEIGHT	inch (mm)	12-19/32" (320)	12-19/32" (320)	12-19/32" (320)	12-19/32" (320)	12-19/32" (320)
INDOOR UNIT	WIDTH	inch (mm)	49-7/32" (1,250)	49-7/32" (1,250)	49-7/32" (1,250)	49-7/32" (1,250)	49-7/32" (1,250)
	DEPTH	inch (mm)	7-11/16" (195)	7-11/16" (195)	7-11/16" (195)	7-11/16" (195)	7-11/16" (195)
	HEIGHT	inch (mm)	25-1/8" (643)	25-1/8" (643)	25-1/8" (643)	25-1/8" (643)	45-11/32" (1,152)
OUTDOOR UNIT	WIDTH	inch (mm)	33-1/32" (840)	33-1/32" (840)	33-1/32" (840)	33-1/32" (840)	37-1/32" (940)
	DEPTH	inch (mm)	13-1/4" (336)	13-1/4" (336)	13-1/4" (336)	13-1/4" (336)	14-9/16" (370)

## WEIGHTS

INDOOR UNIT	GROSS/NET lbs (kg)	55/40 (25/18)	55/40 (25/18)	55/40 (25/18)	55/40 (25/18)	55/40 (25/18)
OUTDOOR UNIT		163/145 (74/66)	165/147 (75/67)	165/147 (75/67)	167/150 (76/68)	238/207 (108/94)

## REFRIGERANT CHARGING

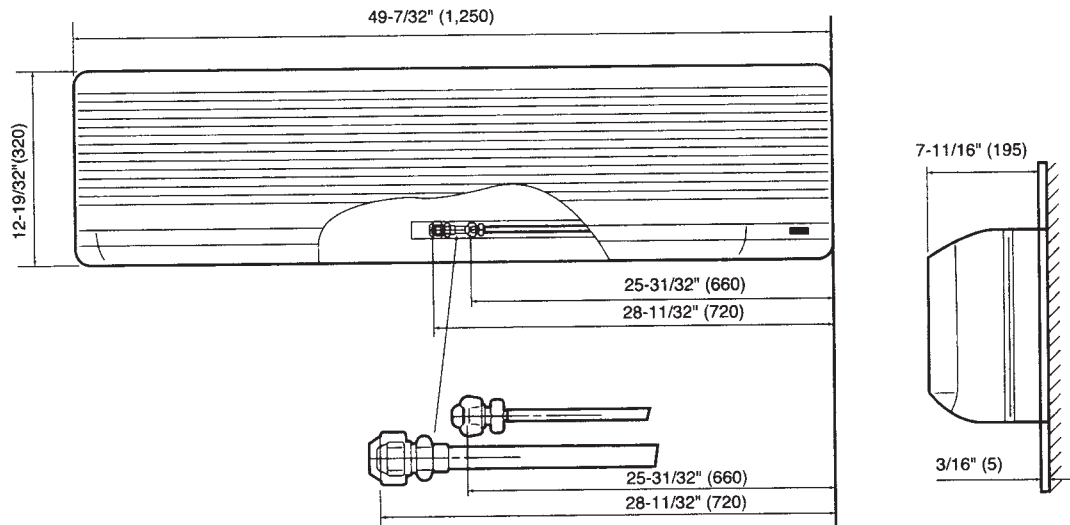
PIPE LENGTH		25 ft. (7.5 m)	33 ft. (10 m)	49 ft. (15 m)	66 ft. (20 m)	83 ft. (25 m)	98 ft. (30 m)
FULL CHARGE AMOUNT	ASU18C1	1,700 g (60.0 oz.)	1,730 g (61.1 oz.)	1,790 g (63.2 oz.)	1,850 g (65.3 oz.)	—	—
		2,250 g (79.4 oz.)	2,335 g (82.4 oz.)	2,505 g (88.4 oz.)	2,675 g (94.4 oz.)	—	—
	ASU24C1	2,200 g (77.6 oz.)	2,230 g (78.7 oz.)	2,290 g (80.8 oz.)	2,350 g (82.9 oz.)	—	—
		2,350 g (82.9 oz.)	2,435 g (85.9 oz.)	2,605 g (91.9 oz.)	2,775 g (97.9 oz.)	—	—
	ASU30C1	1,900 g (67.0 oz.)	1,943 g (68.5 oz.)	2,028 g (71.5 oz.)	2,113 g (74.5 oz.)	2,198 g (77.5 g)	2,283 g (80.5 oz.)

Note : It is the case that 7.5 m are exceeded, when using a connection pipe other than that in the table, charge additional refrigerant with 34 g ( 1.20 oz. ) / 3.3 ft. ( 1 m ) for 18R, 24R Models and 12 g ( 0.42 oz. ) / 3.3 ft. ( 1 m ) for 18C, 24C Models and 17 g ( 0.60 oz. ) / 3.3 ft. ( 1 m ) for 30C Model as the criteria.

# OUTLINE AND DIMENSIONS

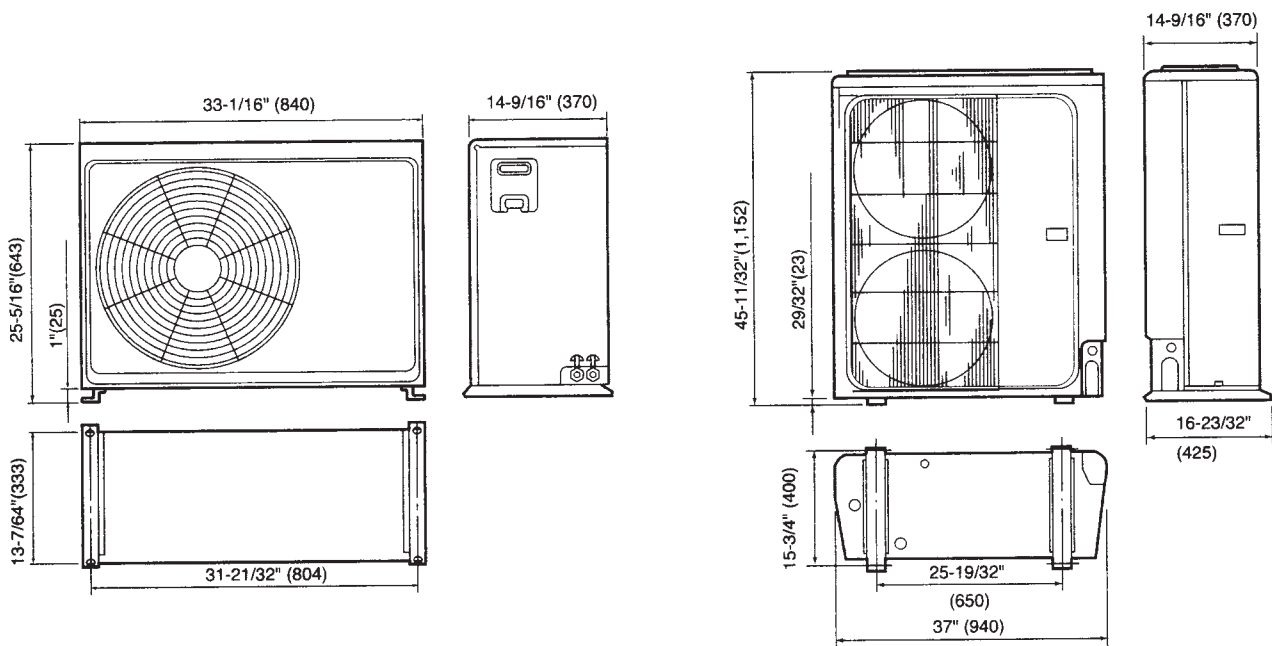
Models : ASU18C1 / ASU18R1  
 ASU24C1 / ASU24R1  
 ASU30C1

Unit : inch(mm)



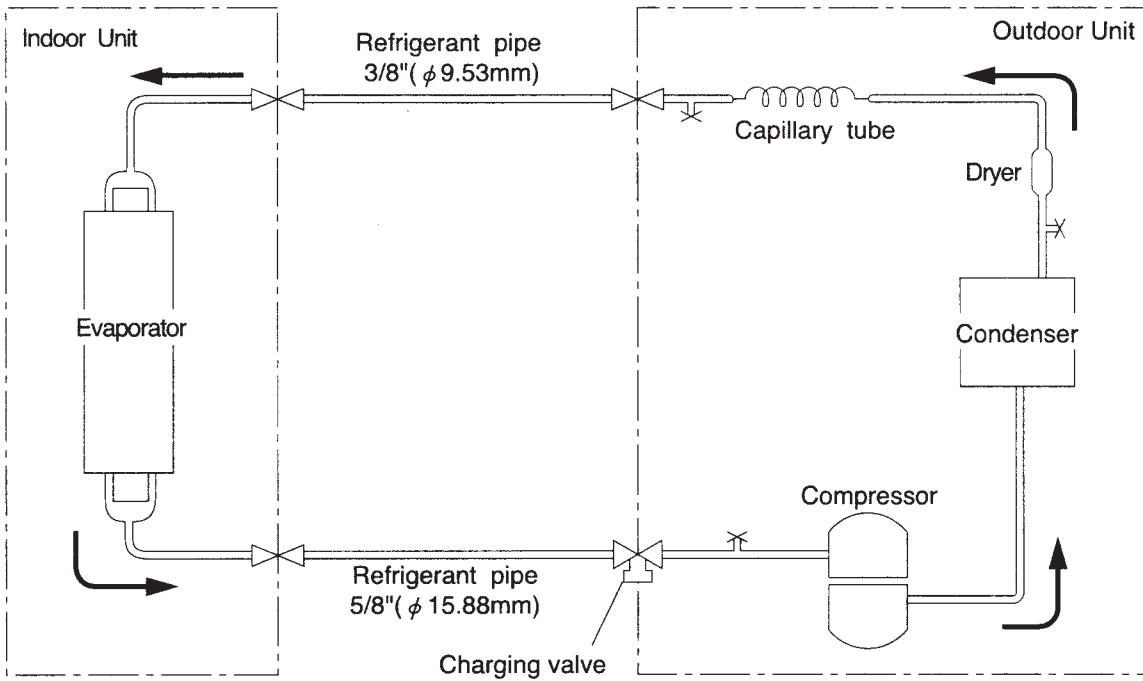
Models : AOU18C1 / AOU18R1  
 AOU24C1 / AOU24R1

Model : AOU30C1

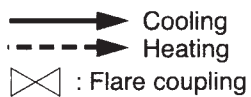
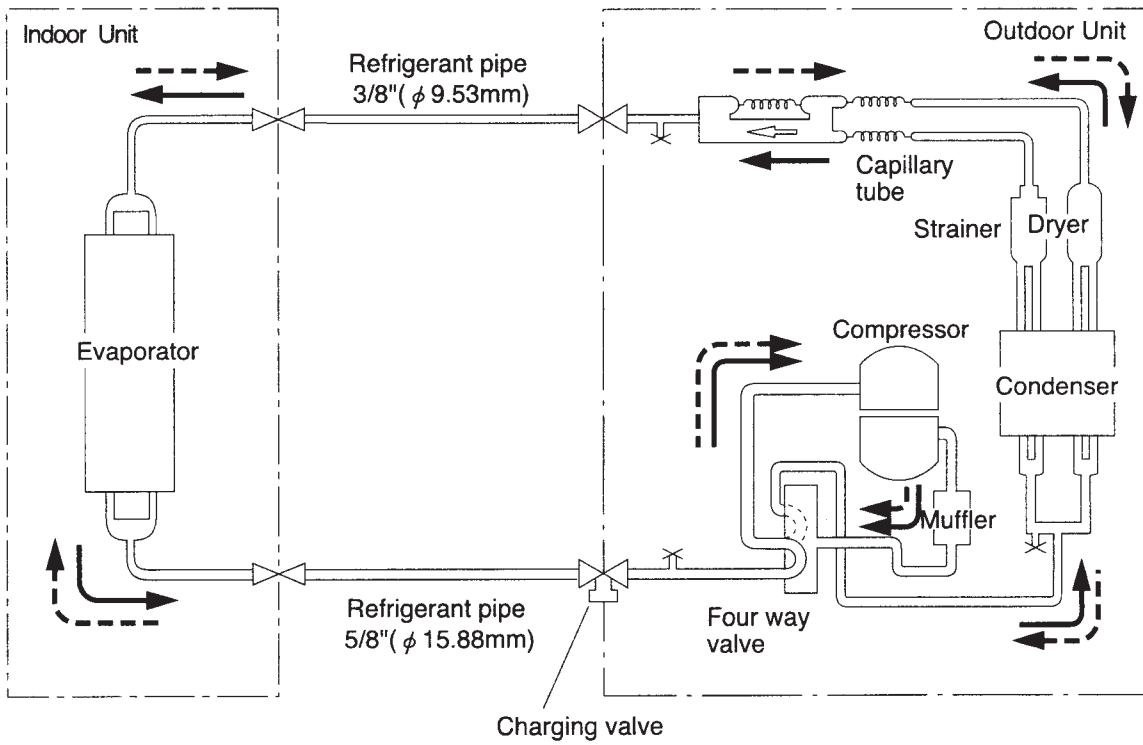


# REFRIGERANT SYSTEM DIAGRAM

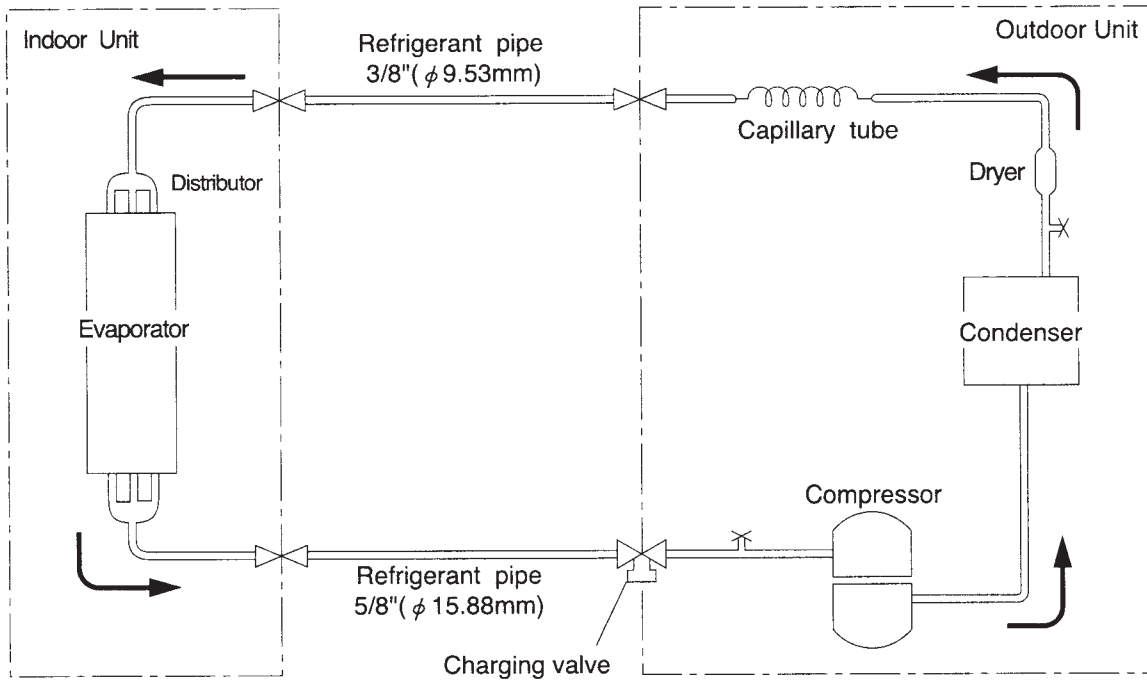
Models : ASU18C1 / AOU18C1



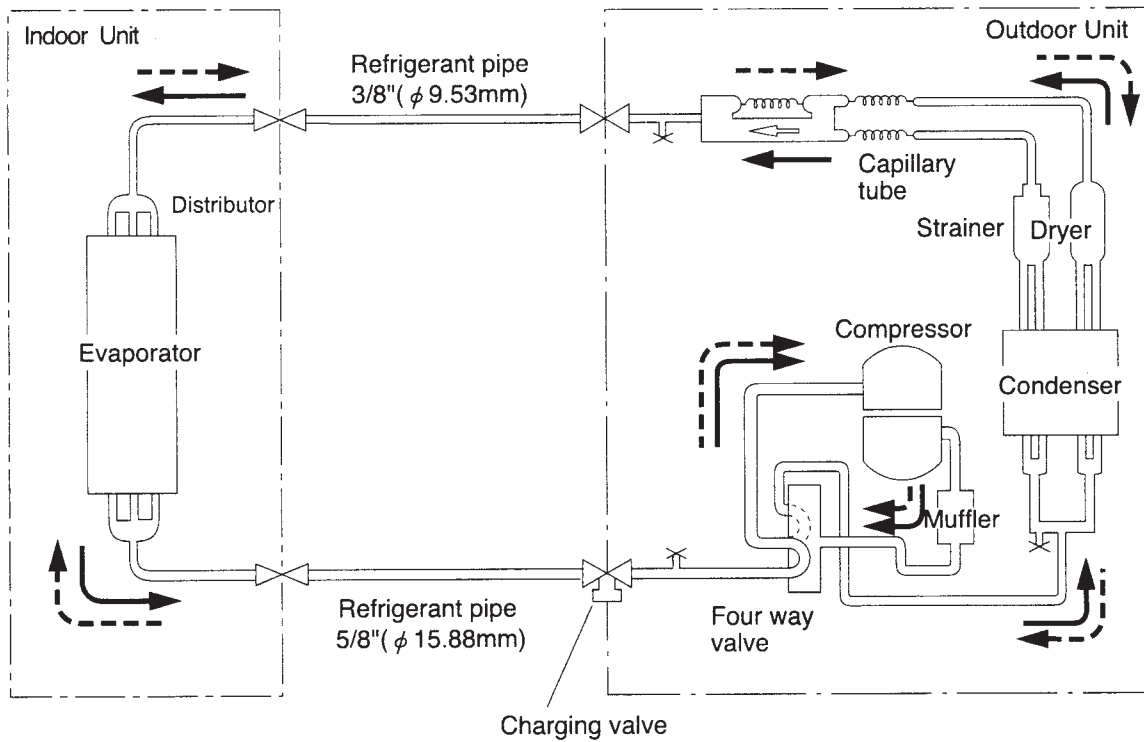
Models : ASU18R1 / AOU18R1






Models : ASU24C1 / AOU24C1

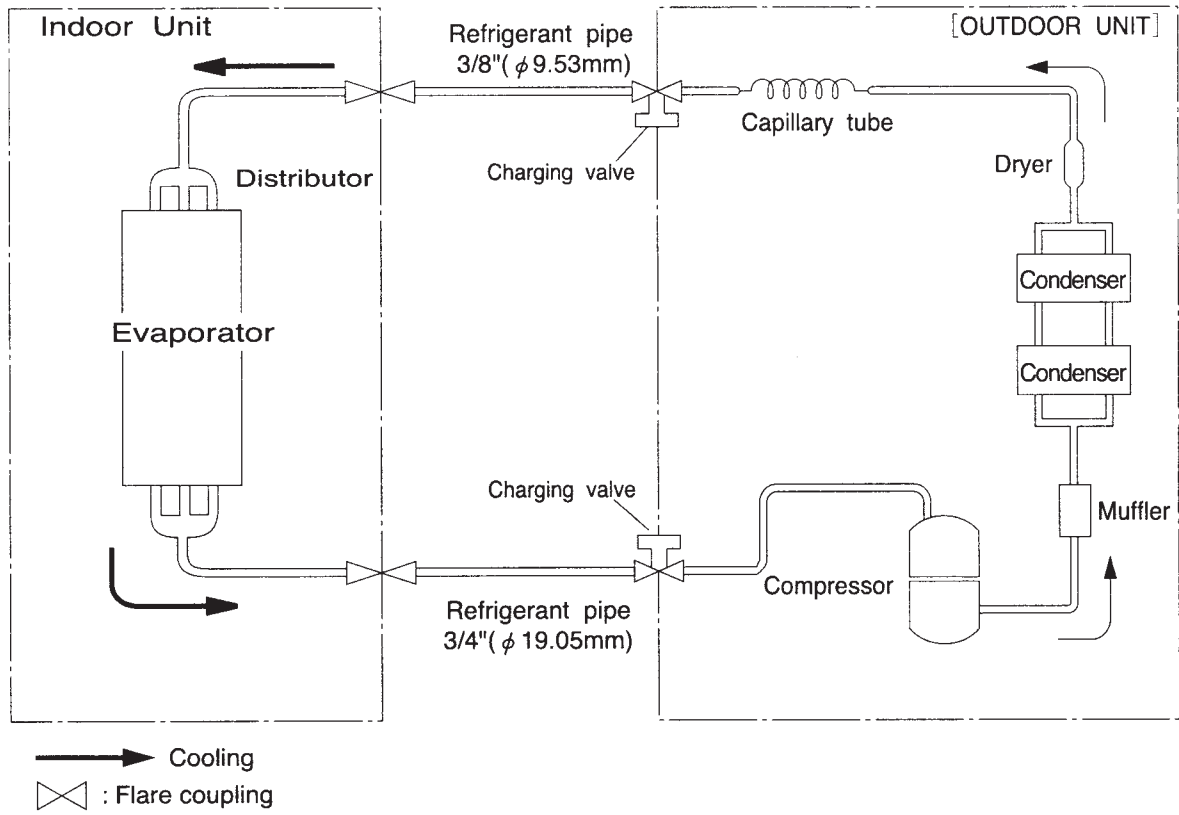


Models : ASU24R1 / AOU24R1



 Cooling  
 Heating  
 : Flare coupling

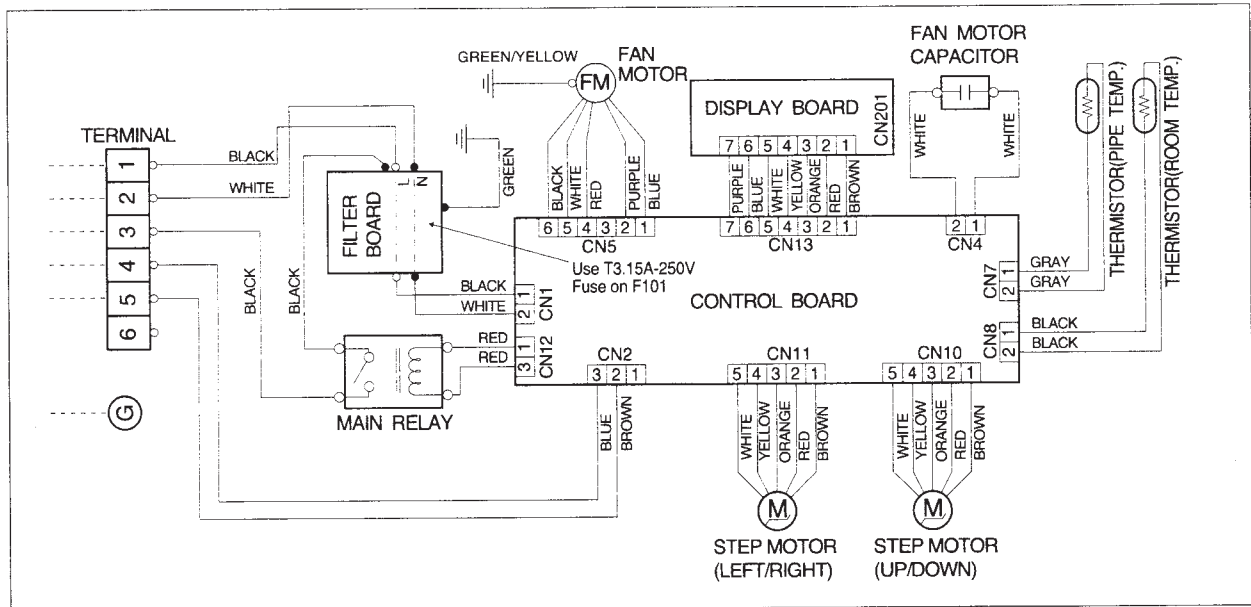
Models : ASU30C1 / AOU30C1



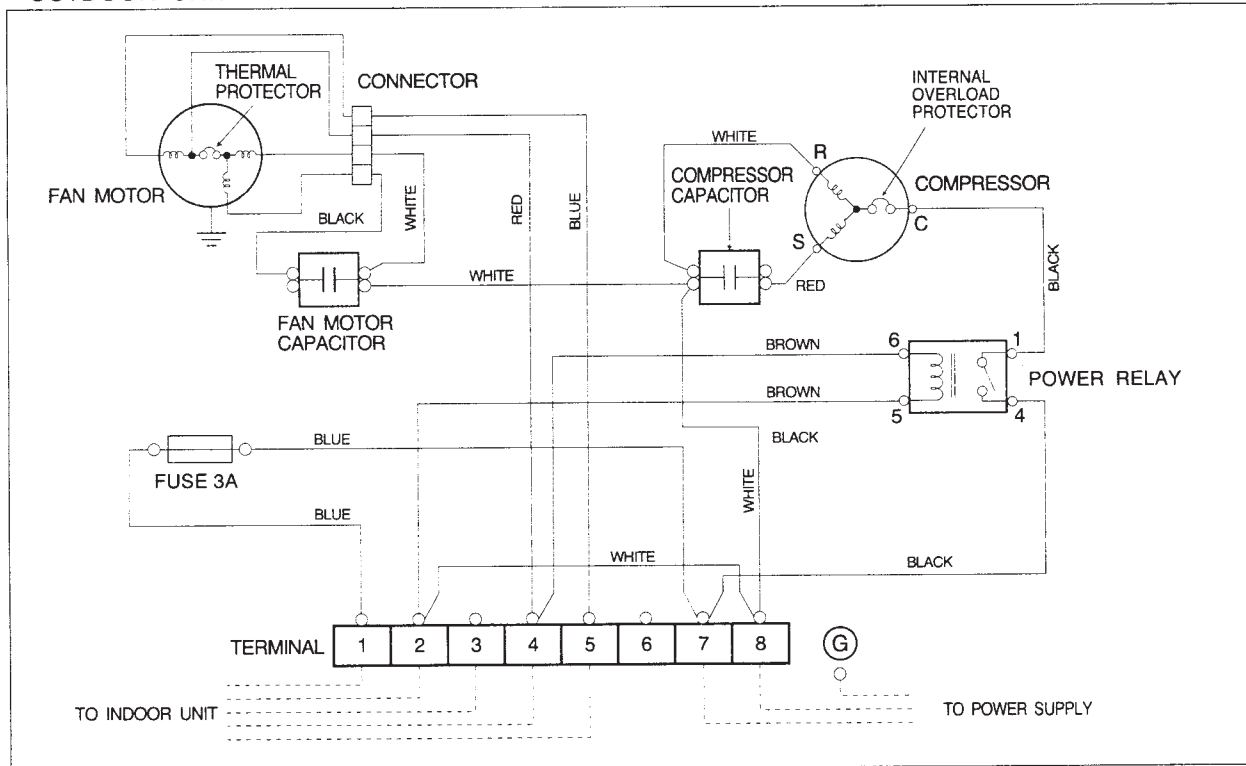
# CIRCUIT DIAGRAM

Models : ASU18C1 / AOU18C1  
ASU24C1 / AOU24C1

## INDOOR UNIT

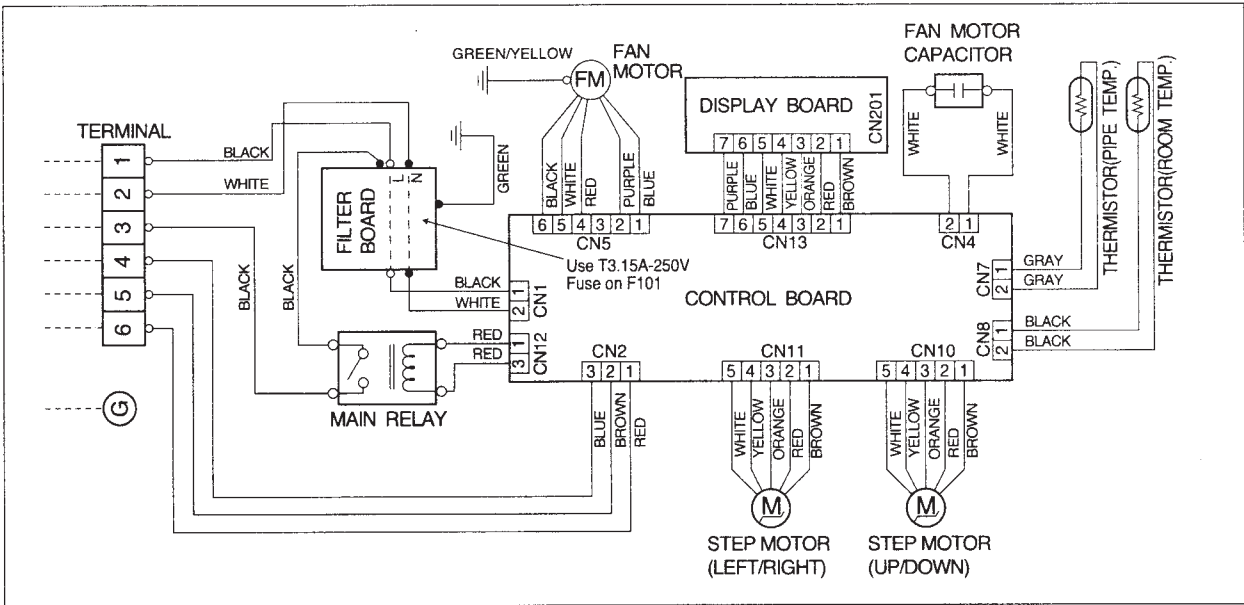


## OUTDOOR UNIT

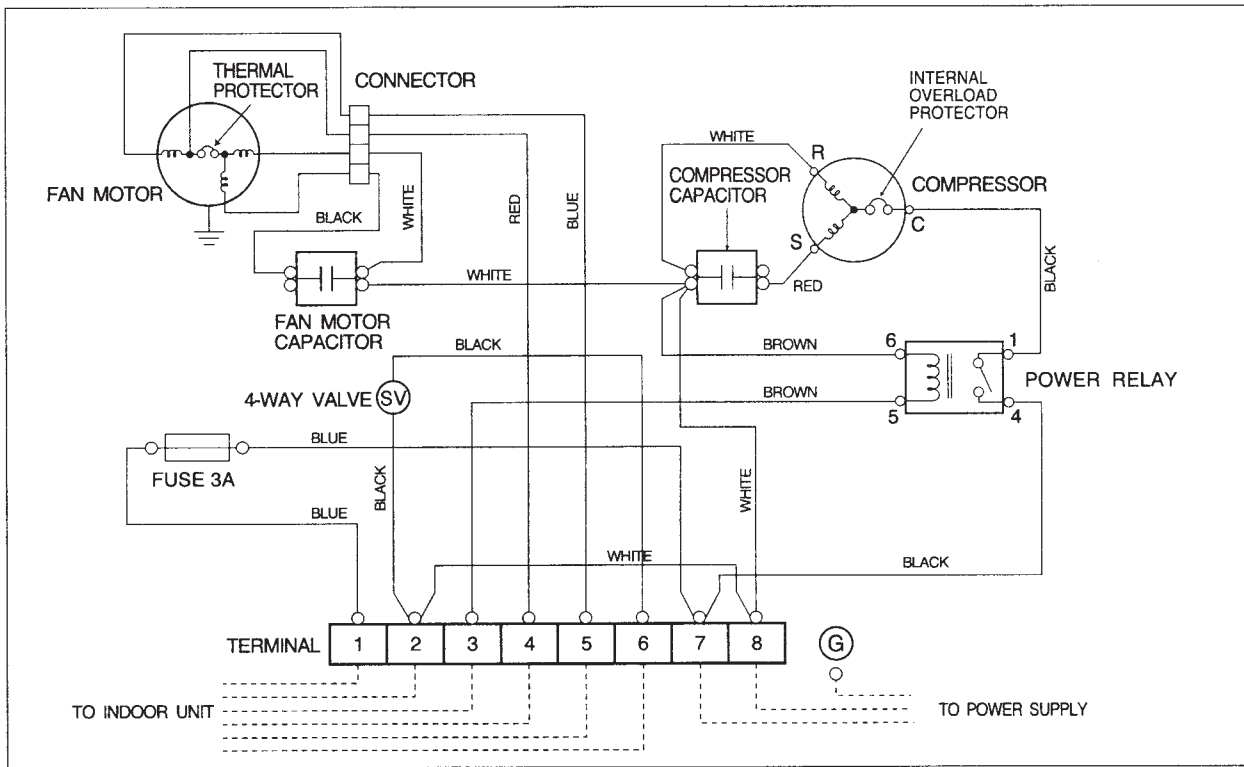


Models : ASU18R1 / AOU18R1  
 ASU24R1 / AOU24R1

INDOOR UNIT

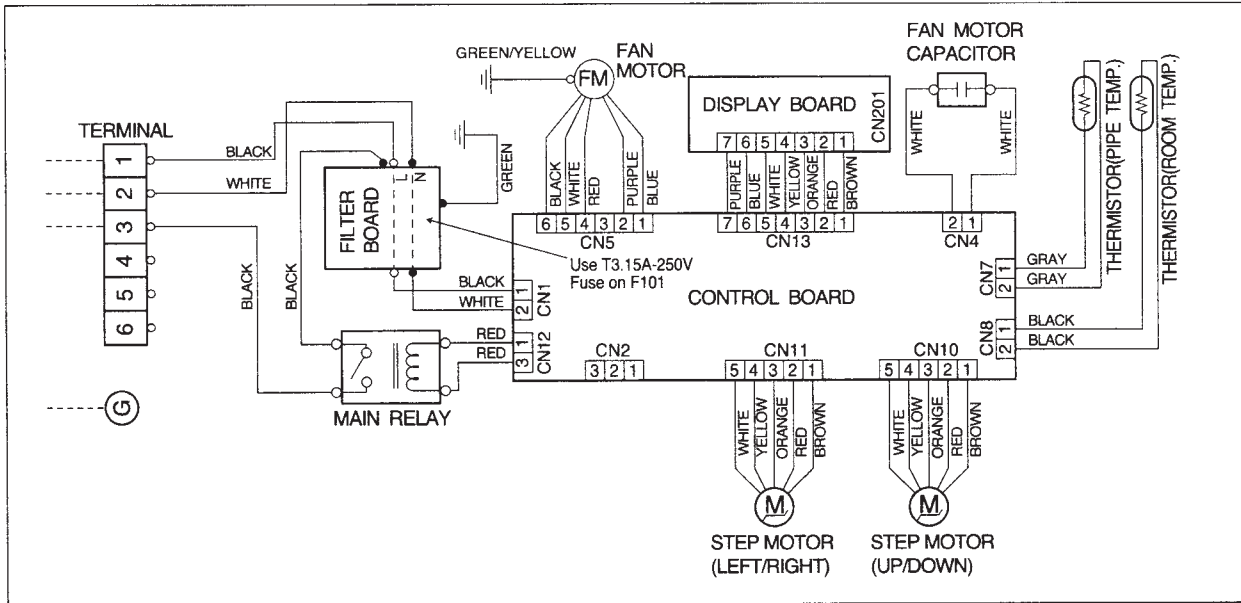


OUTDOOR UNIT

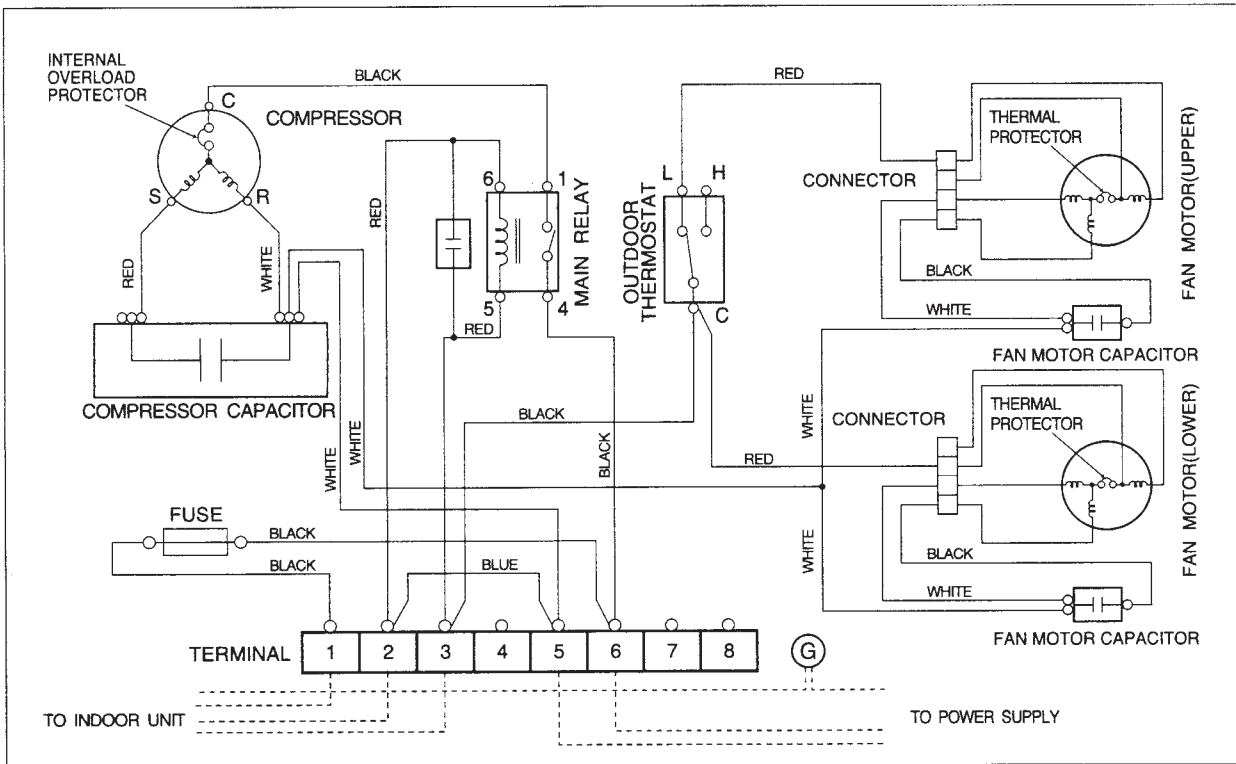


Models : ASU30C1 / AOU30C1

INDOOR UNIT



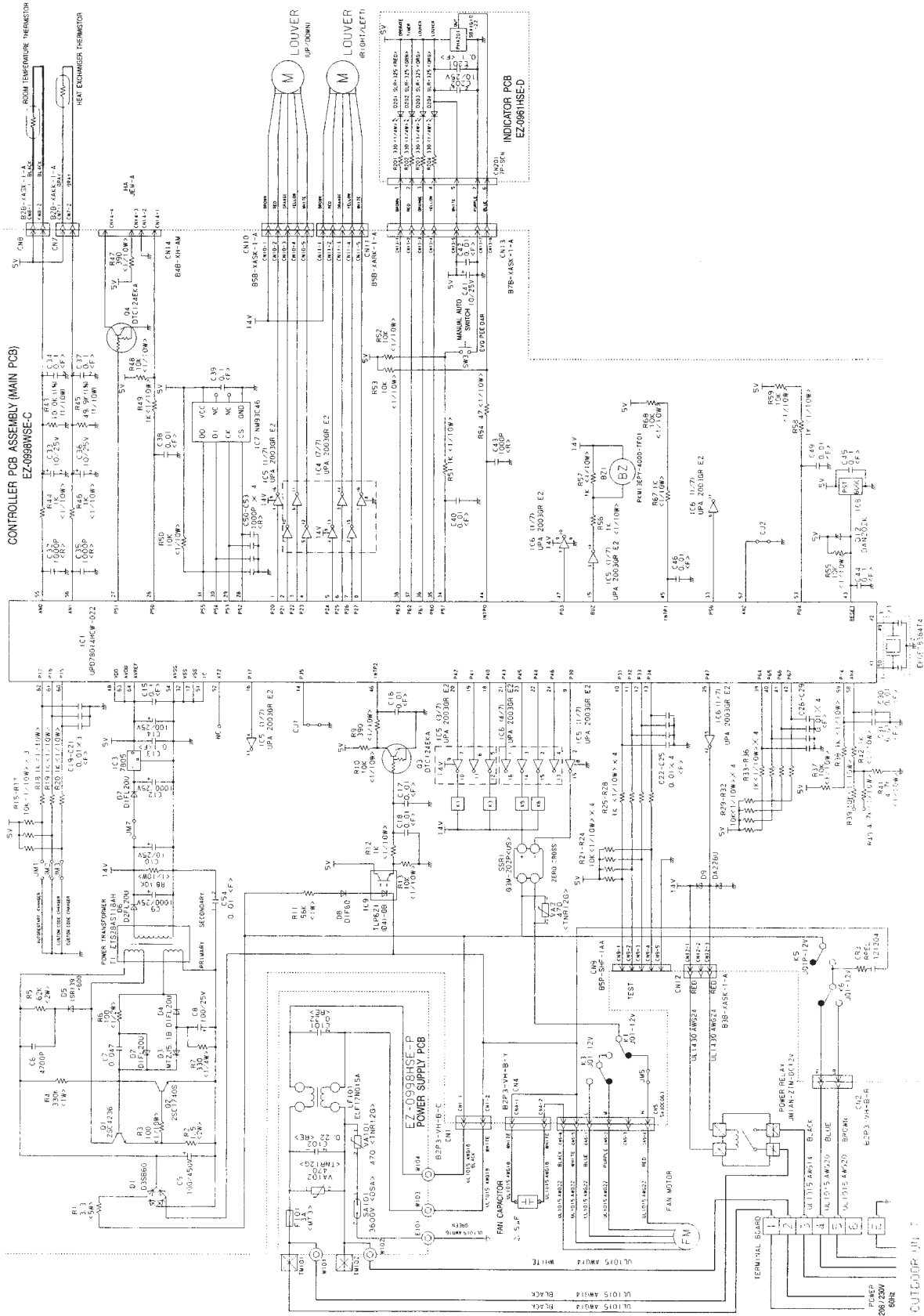
OUTDOOR UNIT



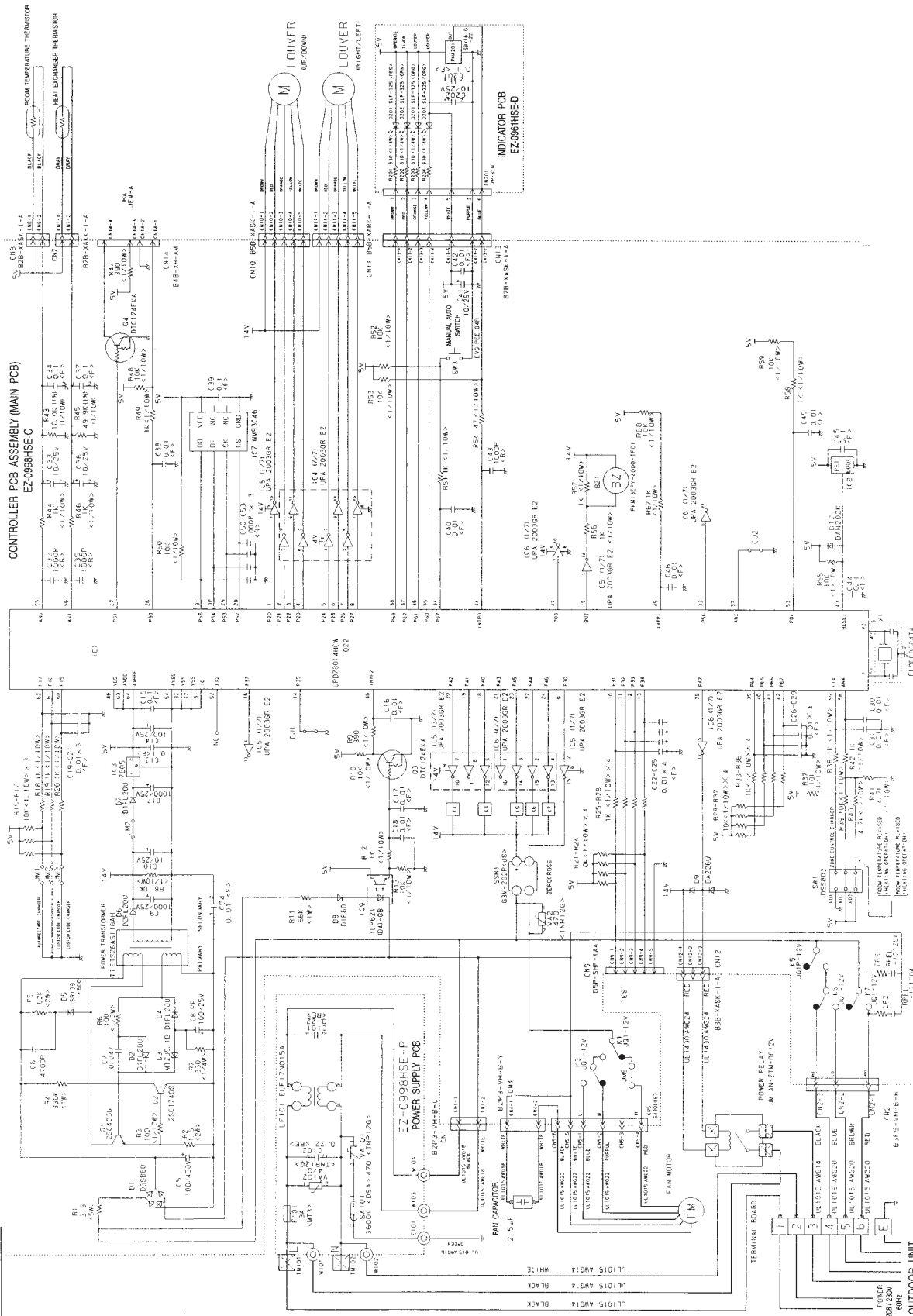
Models : ASU18C  
ASU24C

# INDOOR PRINTED CIRCUIT BOARD

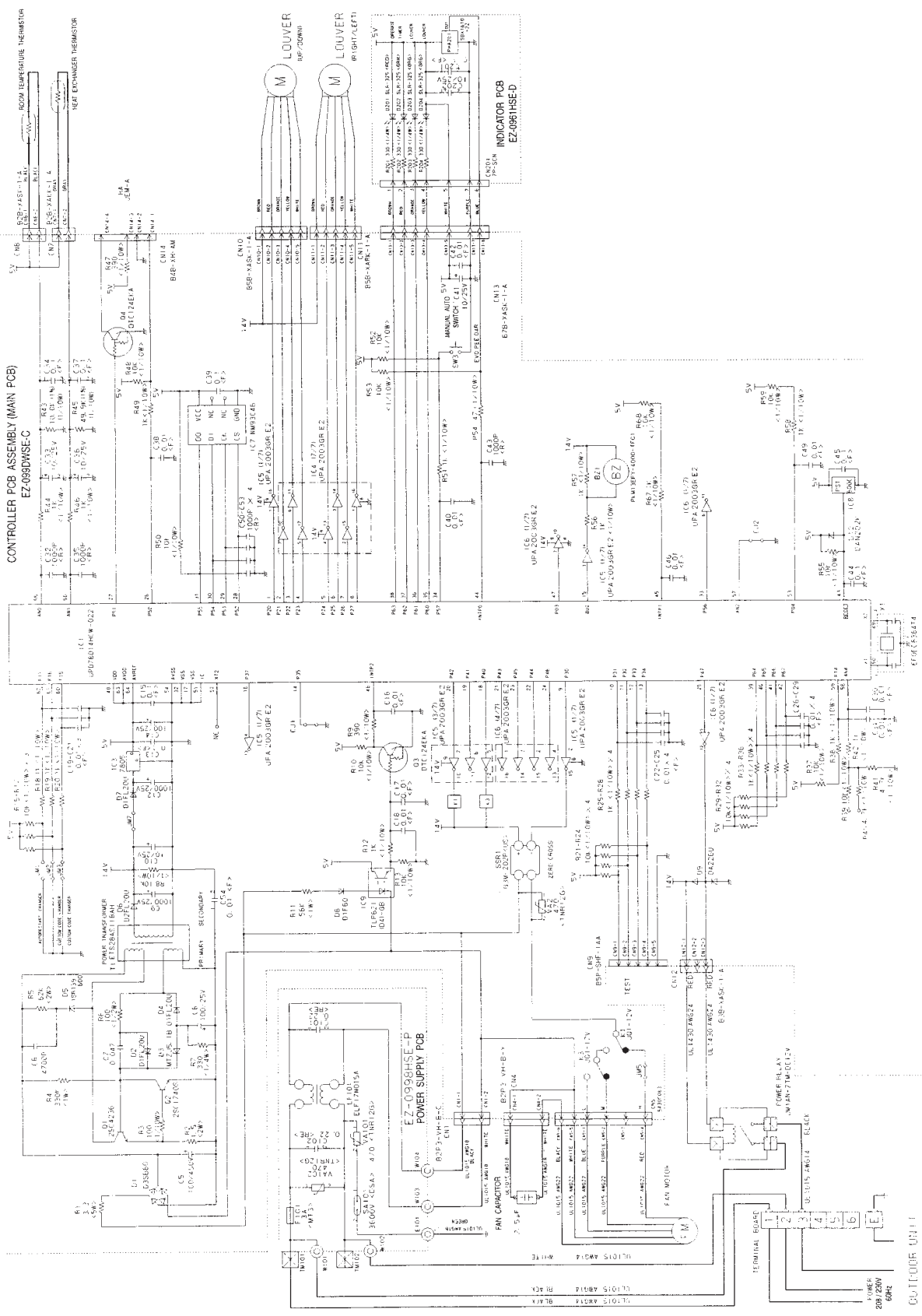
## CIRCUIT DIAGRAM



Models : ASU18R  
ASU24R

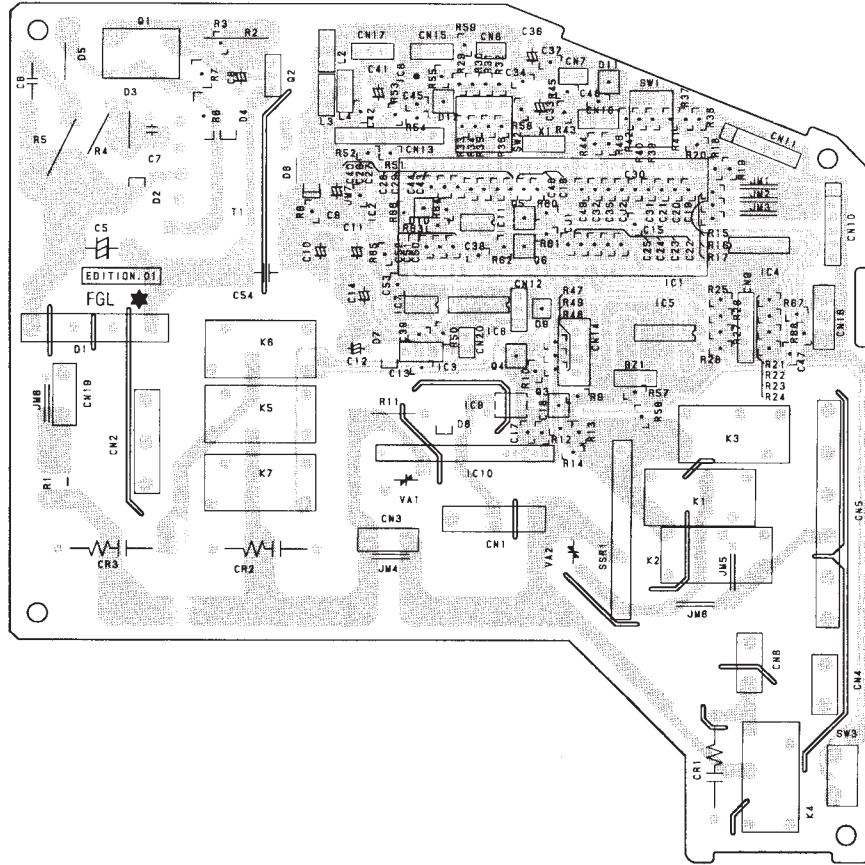


Model : ASU3001

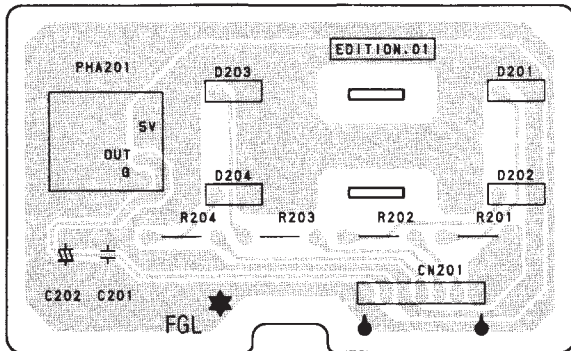


# P. C. BOARD LAYOUTS

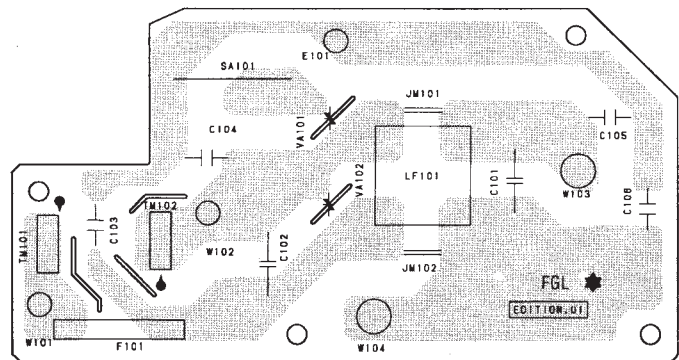
CONTROLLER P.C. BOARD ASSEMBLY (MAIN PCB)  
(Viewed from the solder side)



INDICATOR P.C. BOARD ASSEMBLY  
(Viewed from the solder side)



FILTER P.C. BOARD ASSEMBLY  
(Viewed from the solder side)

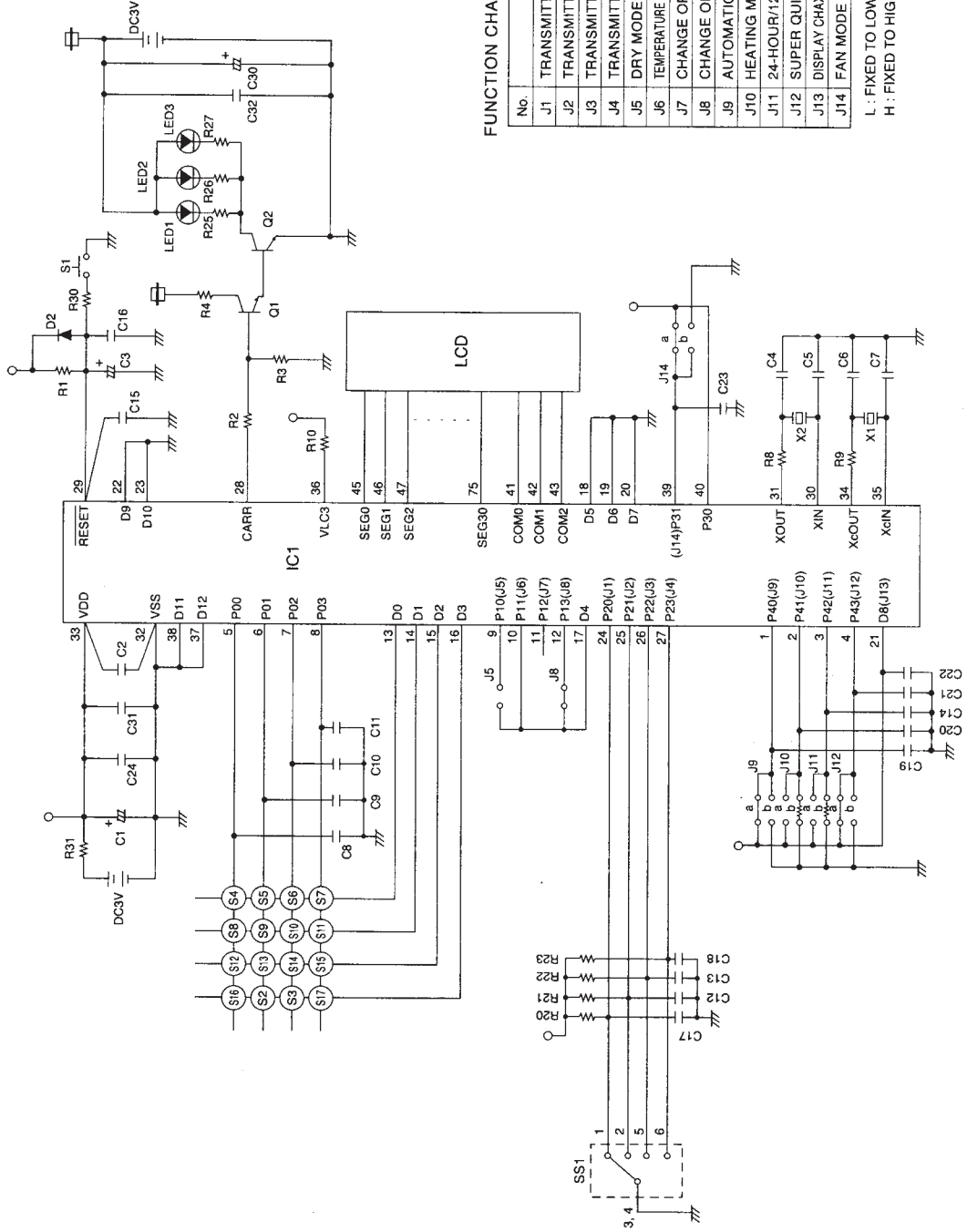


# REMOTE CONTROL UNIT CIRCUIT DIAGRAM

Models : ASU18C1  
ASU24C1  
ASU30C1

KEY NO. : KEY FUNCTION  
CORRESPONDENCE TABLE

No.	KEY FUNCTION
S1	ACL
S2	TIMER ADJUST
S3	TEST RUN
S4	START/STOP
S5	MASTER CONTROL
S6	SET TEMP(+), SET TIME(+)
S7	SET TEMP(-), SET TIME(-)
S8	FAN CONTROL
S9	
S10	
S11	UP AND DOWN SWING
S12	UP AND DOWN WIND
S13	ENERGY SAVE
S14	RIGHT AND LEFT SWING
S15	TIMER SELECTOR
S16	SLEEP
S17	RIGHT AND LEFT WIND



FUNCTION CHANGE BY THE JUMPER WIRE

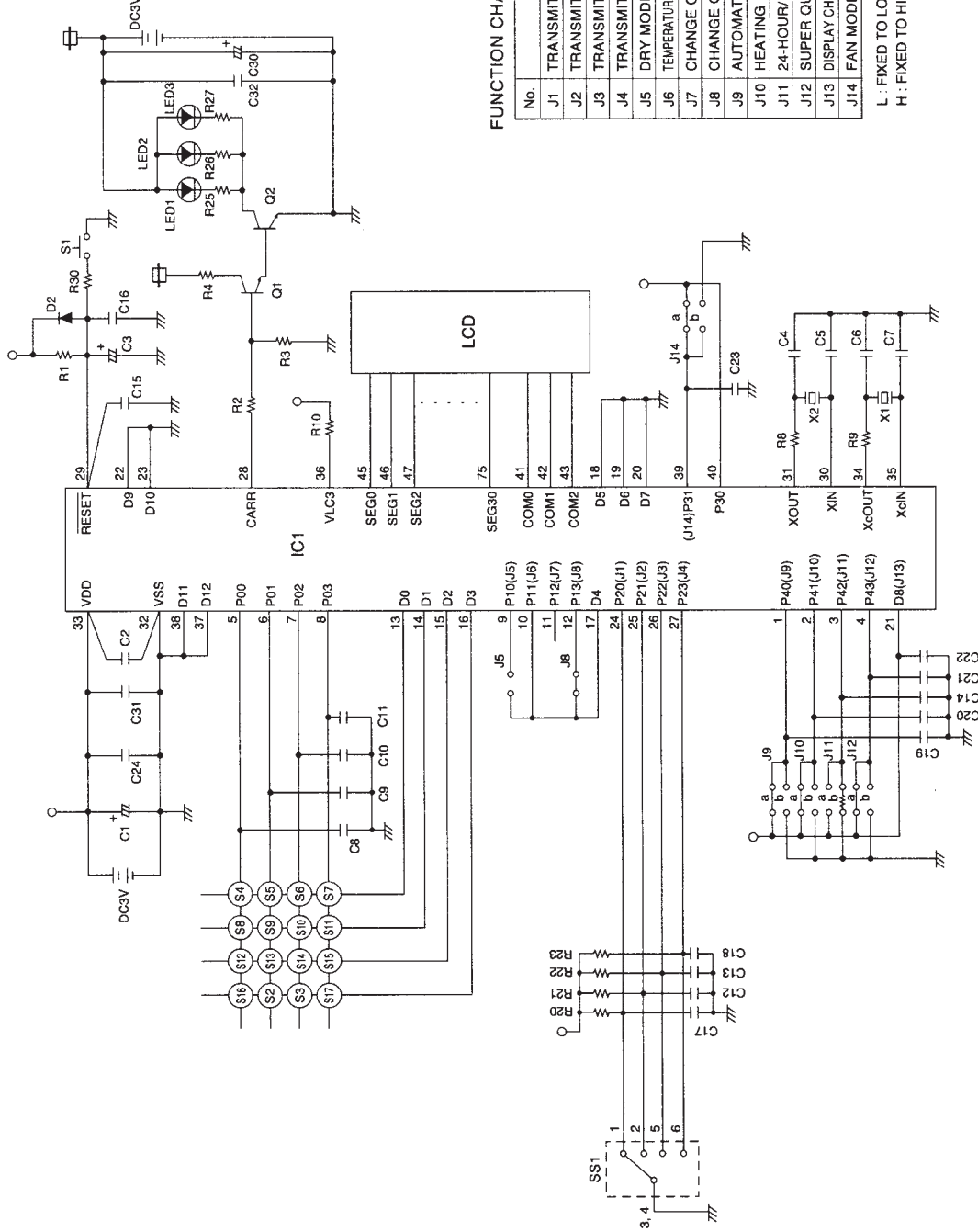
No.	FUNCTION
J1	TRANSMITTING CODE CHANGE L
J2	TRANSMITTING CODE CHANGE H
J3	TRANSMITTING CODE CHANGE H
J4	TRANSMITTING CODE CHANGE H
J5	DRY MODE H
J6	TEMPERATURE DISPLAY OF AUTOMATIC OPERATION L
J7	CHANGE OF REMOTE-CONTROL TYPE H
J8	CHANGE OF TEMPERATURE UNIT H
J9	AUTOMATIC OPERATION H
J10	HEATING MODE L
J11	24-HOUR/12-HOUR H
J12	SUPER QUIET H
J13	DISPLAY CHANGE OF AUTOMATIC OPERATION H
J14	FAN MODE H

L : FIXED TO LOW LEVEL  
H : FIXED TO HIGH LEVEL

Models : ASU18R1  
ASU24R1

KEY NO. : KEY FUNCTION  
CORRESPONDENCE TABLE

No.	KEY FUNCTION
S1	ACL
S2	TIMER ADJUST
S3	TEST RUN
S4	START/STOP
S5	MASTER CONTROL
S6	SET TEMP (+), SET TIME(+)
S7	SET TEMP (-), SET TIME(-)
S8	FAN CONTROL
S9	
S10	
S11	UP AND DOWN SWING
S12	UP AND DOWN WIND
S13	ENERGY SAVE
S14	RIGHT AND LEFT SYING
S15	TIMER SELECTOR
S16	SLEEP
S17	RIGHT AND LEFT WIND



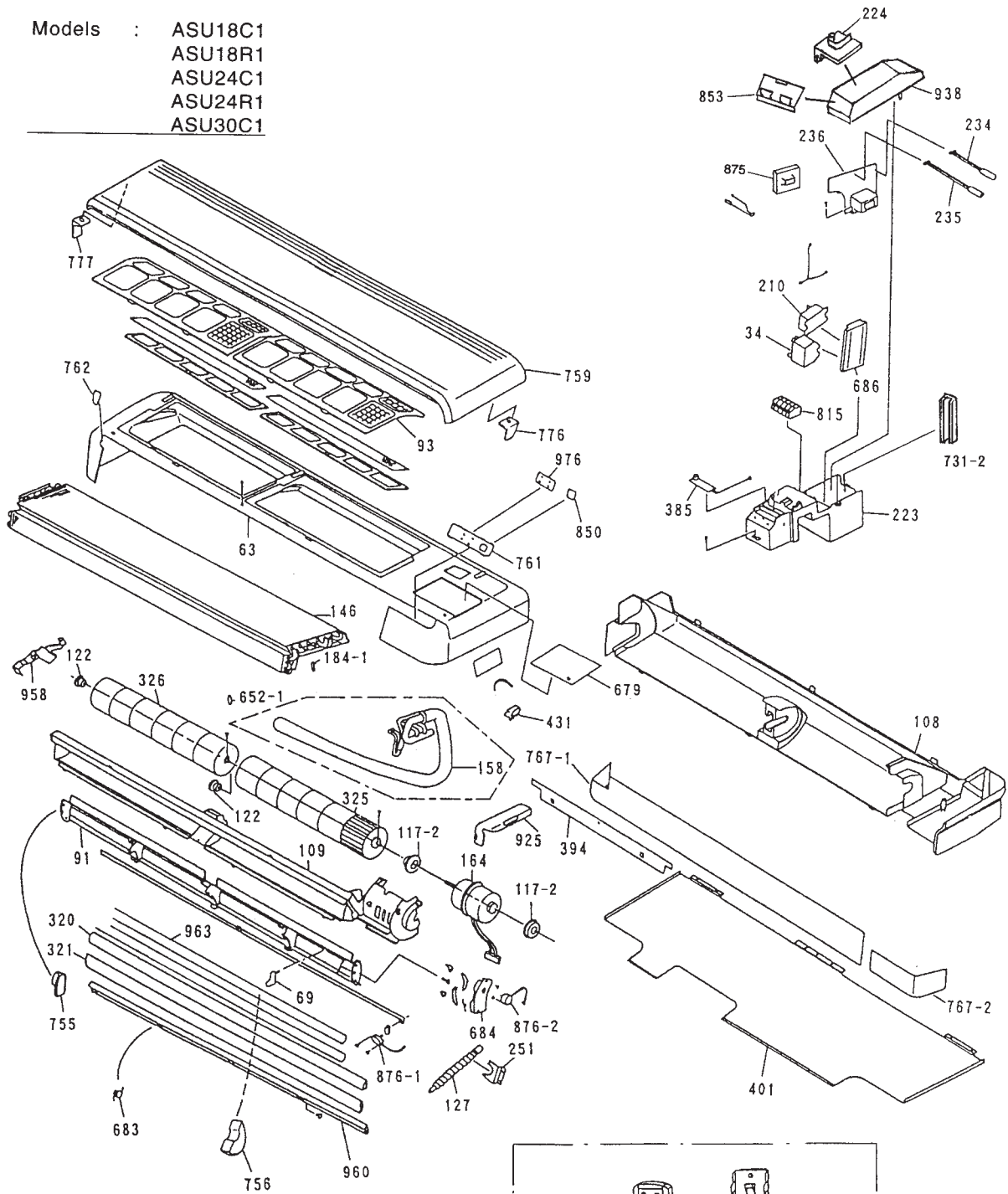
FUNCTION CHANGE BY THE JUMPER WIRE

No.	FUNCTION
J1	TRANSMITTING CODE CHANGE L
J2	TRANSMITTING CODE CHANGE H
J3	TRANSMITTING CODE CHANGE H
J4	TRANSMITTING CODE CHANGE H
J5	DRY MODE H
J6	TEMPERATURE DISPLAY OF AUTOMATIC OPERATION L
J7	CHANGE OF REMOTE-CONTROL TYPE H
J8	CHANGE OF TEMPERATURE UNIT H
J9	AUTOMATIC OPERATION H
J10	HEATING MODE H
J11	24-HOUR/12-HOUR H
J12	SUPER QUIET H
J13	DISPLAY CHANGE OF AUTOMATIC OPERATION H
J14	FAN MODE H

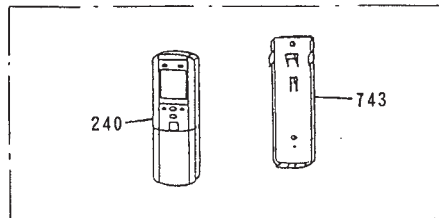
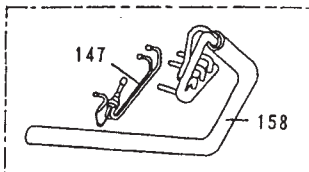
L : FIXED TO LOW LEVEL  
H : FIXED TO HIGH LEVEL

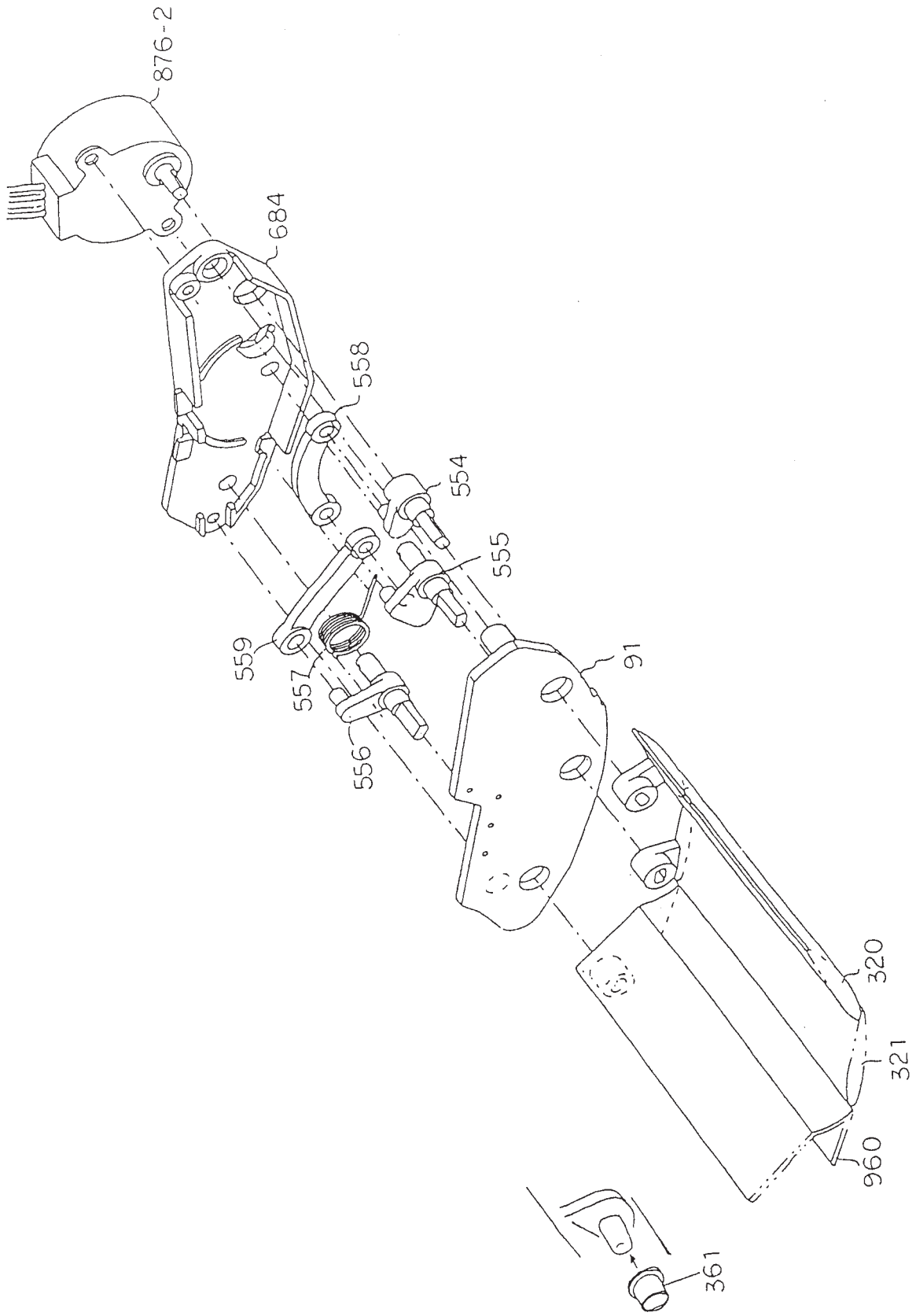
# DISASSEMBLY ILLUSTRATION

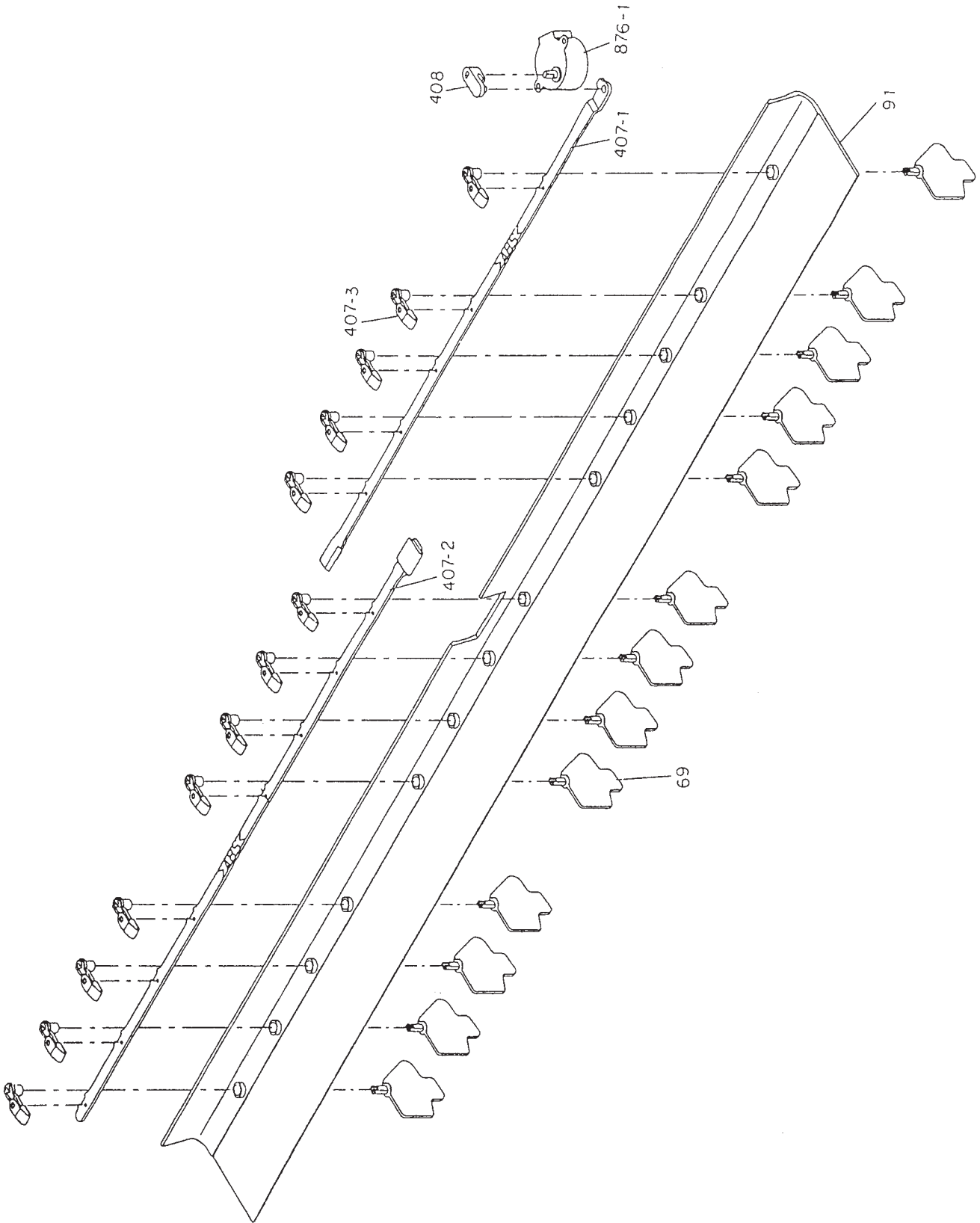
Models : ASU18C1  
 ASU18R1  
 ASU24C1  
 ASU24R1  
 ASU30C1



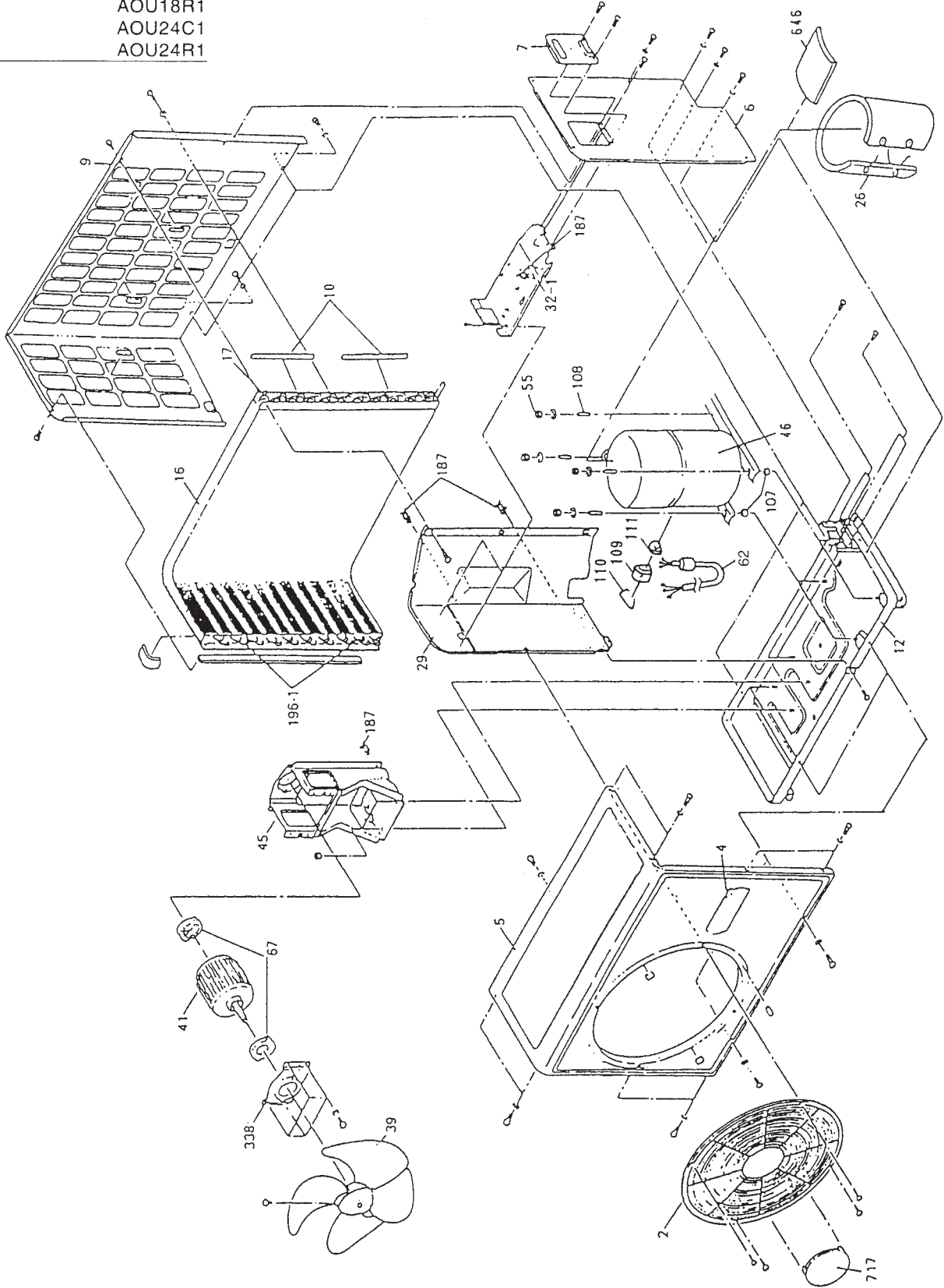
ASU24C1, ASU24R1,  
 ASU30C1



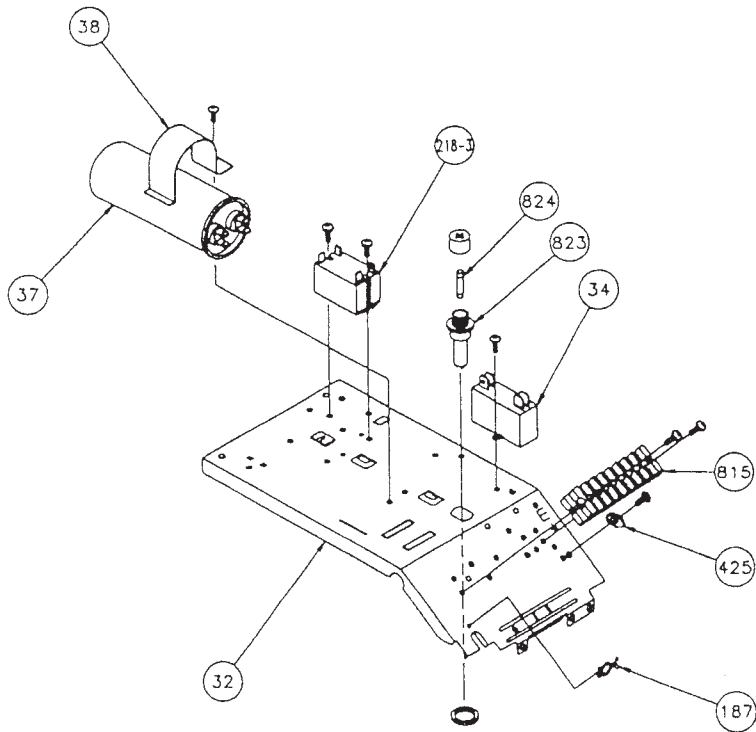
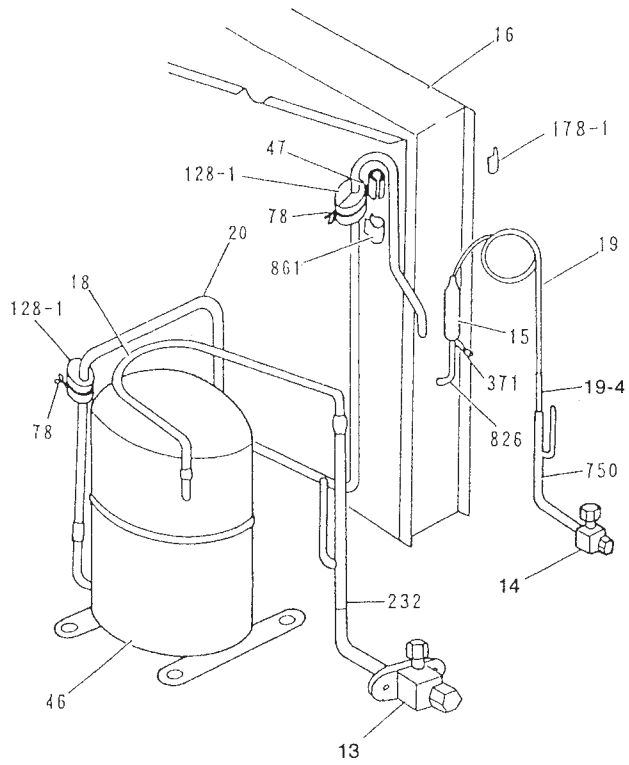




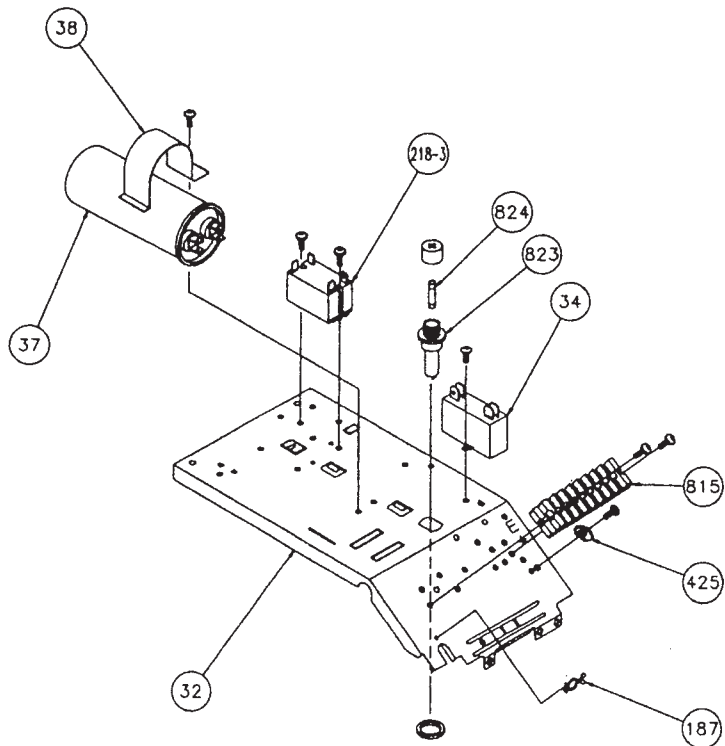
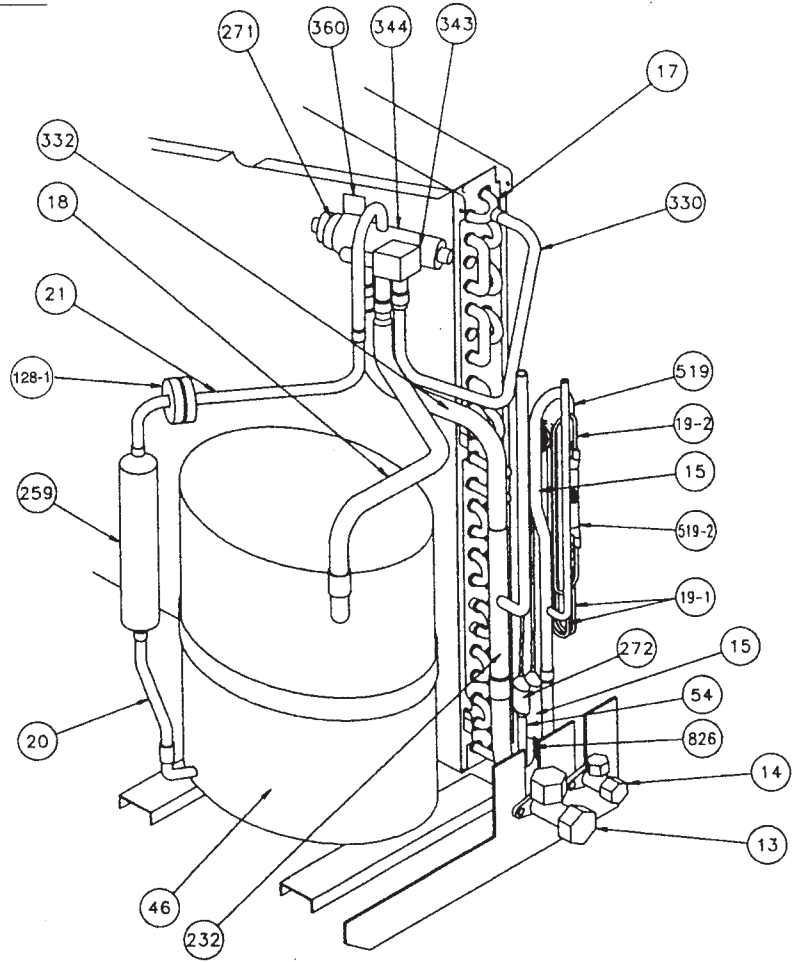
Models : AOU18C1  
AOU18R1  
AOU24C1  
AOU24R1



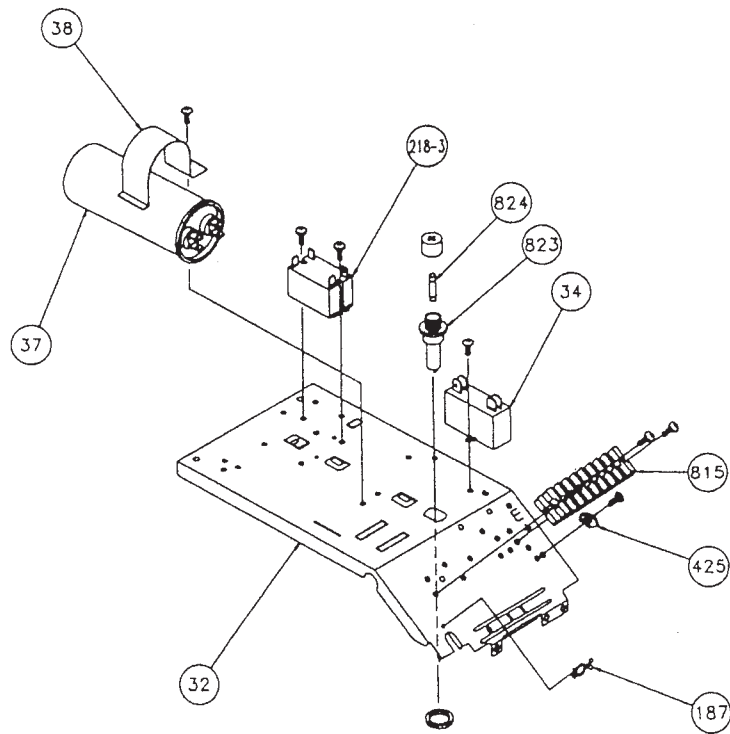
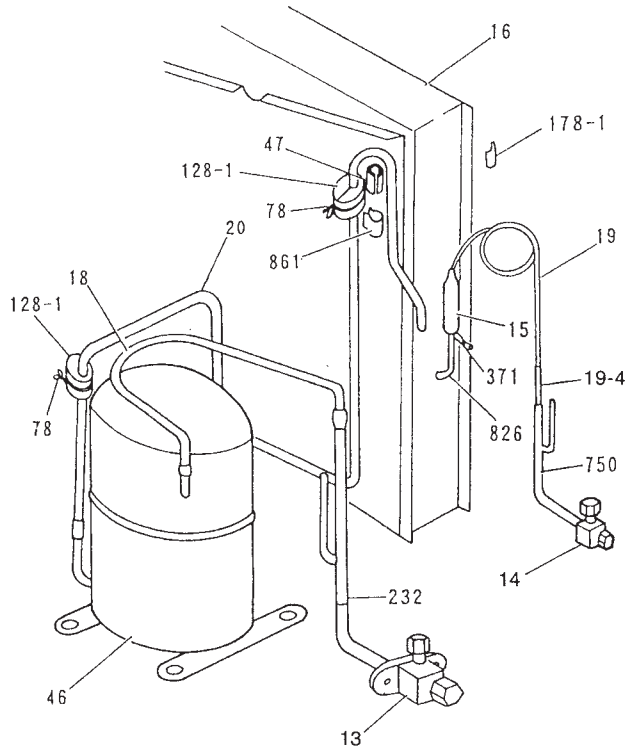
Model : AOU18C1



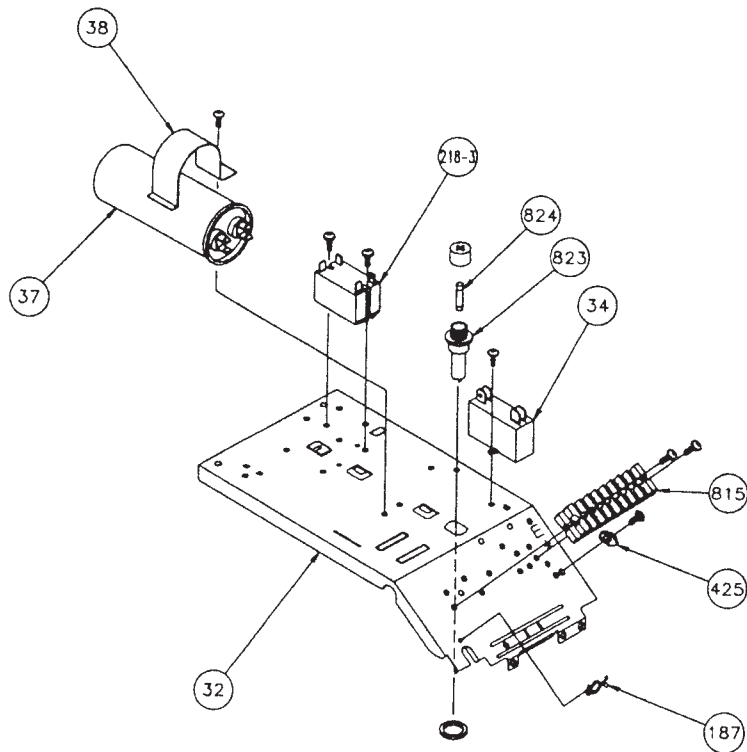
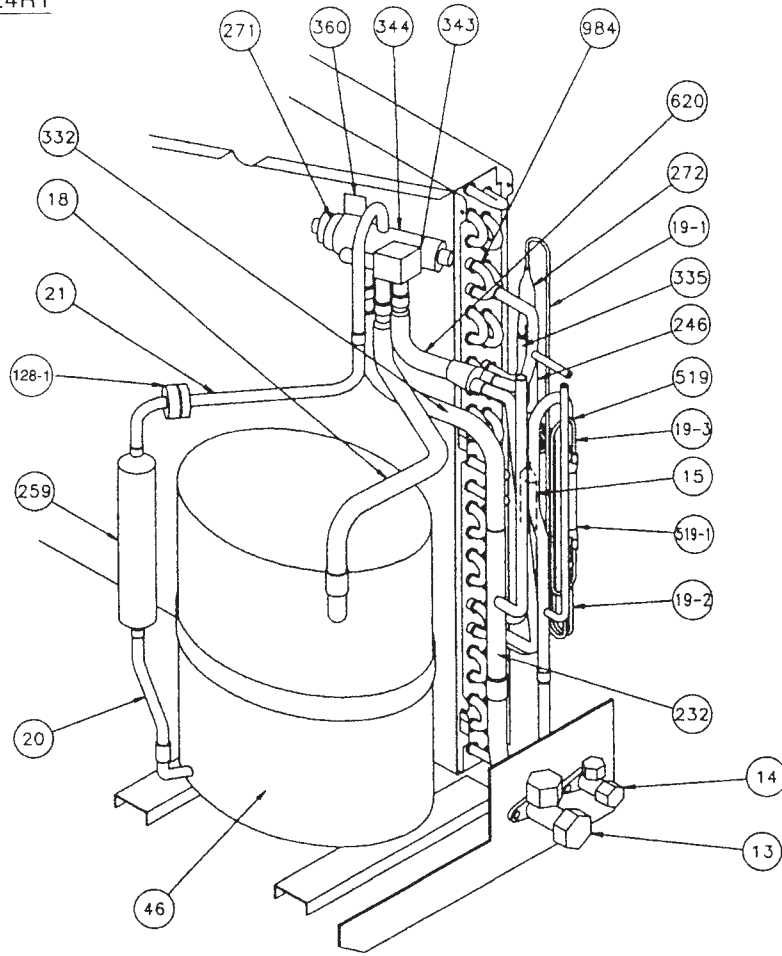
Model : AOU18R1



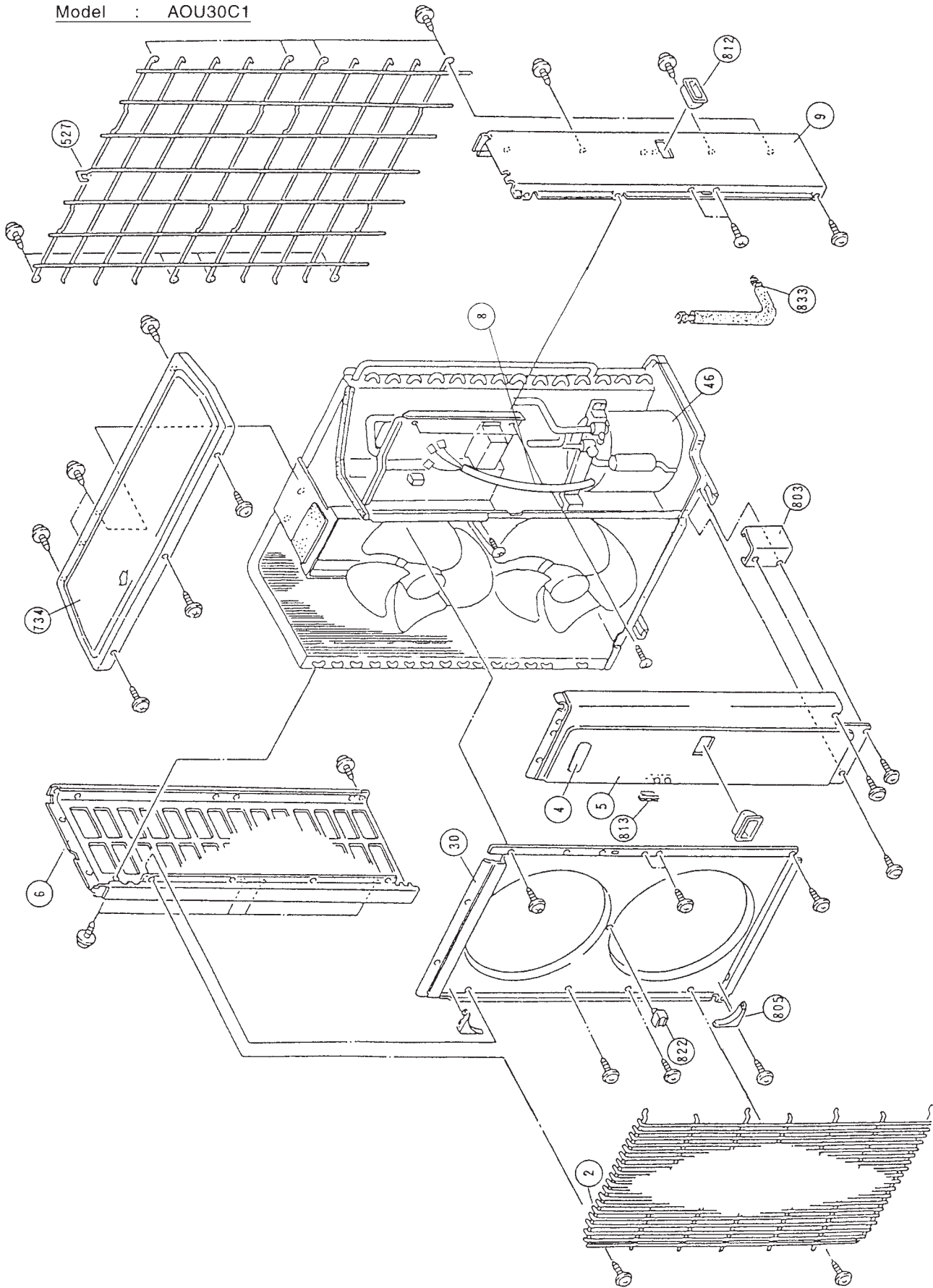
Model : AOU24C1

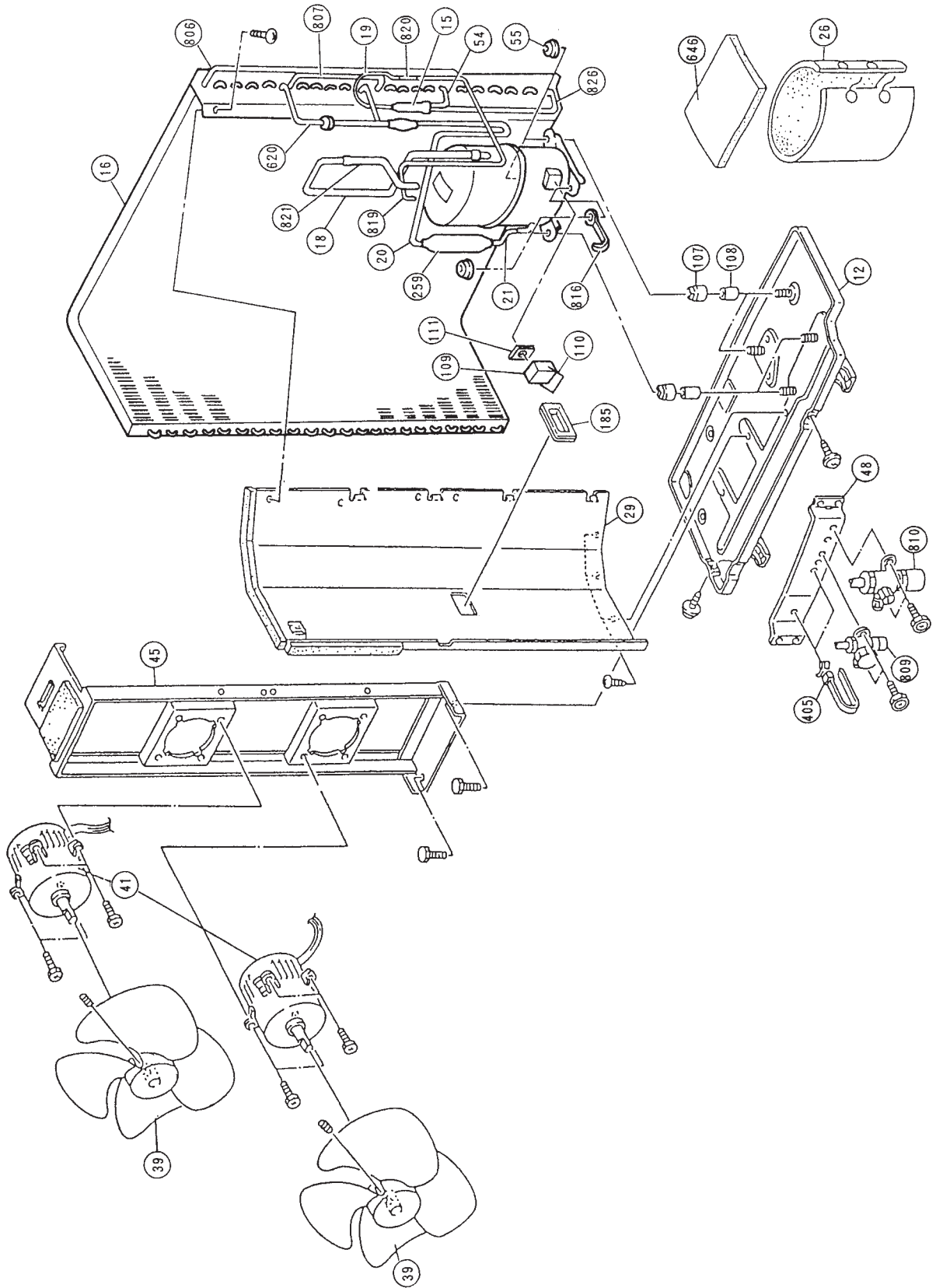


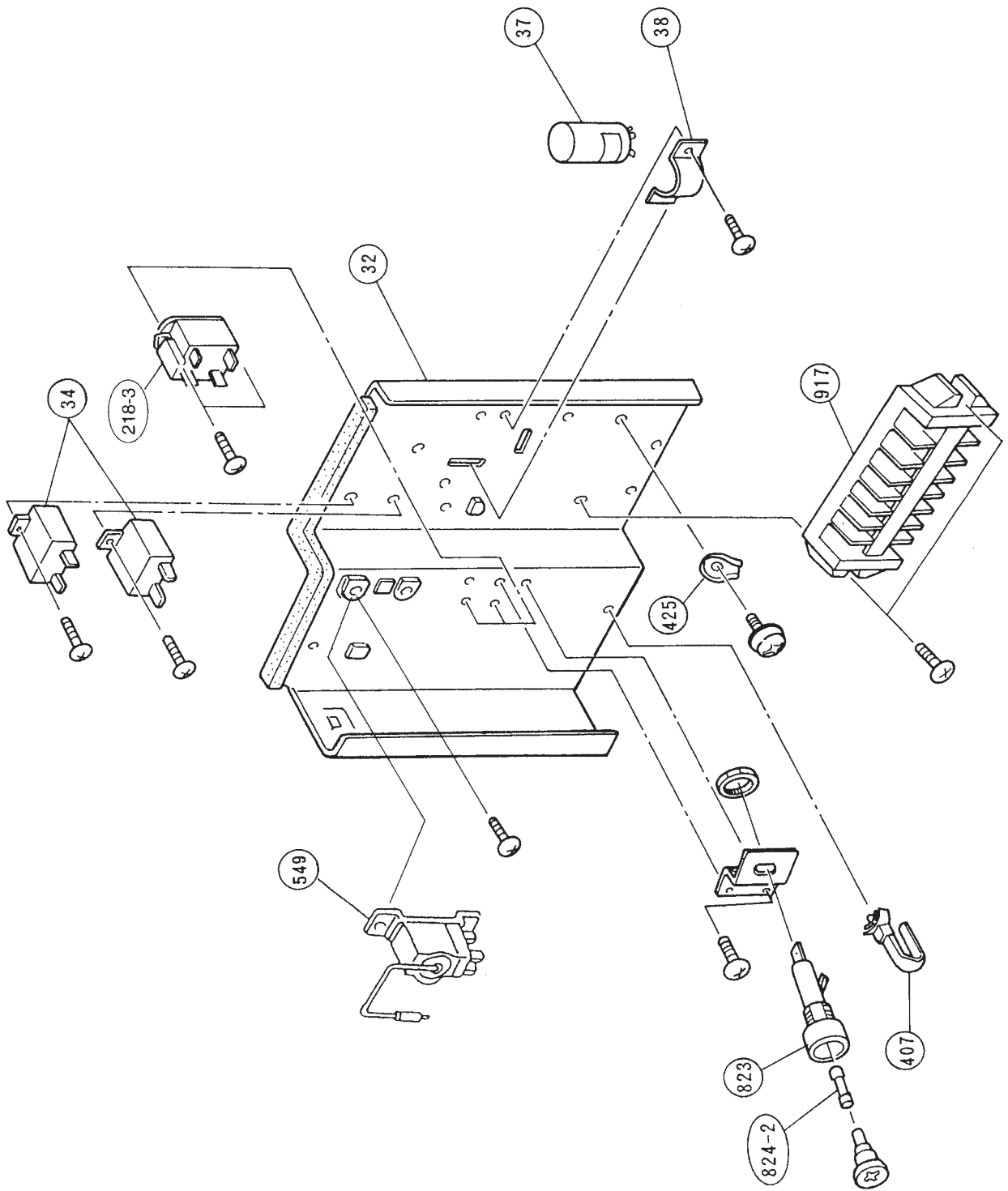
Model : AOU24R1



Model : AOU30C1







# PARTS LIST

When you order parts, please make a photocopy of this page and fill the number of the parts in the "Order" column.

## INDOOR UNIT

Ref. No.	Description	Part No.									
		ASU18C1	Ord. Q' ty	ASU18R1	Ord. Q' ty	ASU24C1	Ord. Q' ty	ASU24R1	Ord. Q' ty	ASU30C1	Ord. Q' ty
34	Capacitor. (Fan Motor)	9700468073		9700468073		9700468073		9700468073		9700468073	
63	Panel (Front) Total Assy	9358181010		9358181010		9358181010		9358181010		9358181010	
69	Louver	9357933016		9357933016		9357933016		9357933016		9357933016	
91	Hinge Plate	9361281011		9361281011		9361281011		9361281011		9361281011	
93	Air Filter	9357897011		9357897011		9357897011		9357897011		9357897011	
108	Base	9357948010		9357948010		9357948010		9357948010		9357948010	
109	Casing Assy	9358182116		9358182116		9358182116		9358182116		9358182116	
117-2	Rubber (Vibration Proof)	9361237001		9361237001		9361237001		9361237001		9361237001	
122	Shaft Holder-B	9357921006		9357921006		9357921006		9357921006		9357921006	
127	Drain Hose Assy	9364231006		9364231006		9364231006		9364231006		9364231006	
146	Evaporator Assy	9361995000		9361995000		9358308004		9358308004		9358308004	
147	Inlet Pipe (Eva. ) Assy					9358777008		9358777008		9363438000	
158	Joint Pipe Assy-E	9362000000		9362000000		9368759004		9368759004		9363346008	
164	Fan Motor Assy-IN	9600872000		9600872000		9600873007		9600873007		9600873007	
184-1	Thermo. Spring-A	313728262708		313728262708		313728262708		313728262708		313728262708	
210	Main Relay	9356781007		9356781007		9356781007		9356781007		9356781007	
223	Control Box	9362200011		9362200011		9362200011		9362200011		9362200011	
224	Switch Holder	9362204019		9362204019		9362204019		9362204019		9362204019	
234	Thermistor Assy	9701946013		9701946013		9701946013		9701946013		9701946013	
235	Thermistor Assy-Pipe	9701947010		9701947010		9701947010		9701947010		9701947010	
236	Controller PCB Assy	9703232022		9703232046		9703232022		9703232039		9703232015	
240	Remote Control Unit	9359913108		9359913092		9359913108		9359913092		9359913108	
251	Bracket (Hose)-B	9362208017		9362208017		9362208017		9362208017		9362208017	
273	Holder (Lamp)	9357958002		9357958002		9357958002		9357958002		9357958002	
320	Flap (Upper)-F	9357938011		9357938011		9357938011		9357938011		9357938011	
321	Flap (Lower)	9357940014		9357940014		9357940014		9357940014		9357940014	
325	Cross Flow Fan-R Assy	9357918006		9357918006		9357918006		9357918006		9357918006	
326	Cross Flow Fan-L Assy	9357919003		9357919003		9357919003		9357919003		9357919003	
361	Bushing	9357942001		9357942001		9357942001		9357942001		9357942001	
385	Indicator PCB Assy	9701869015		9701869015		9701869015		9701869015		9701869015	
394	Bracket, Panel (Pipe)	9357951003		9357951003		9357951003		9357951003		9357951003	
401	Bracket, Panel	9357952000		9357952000		9357952000		9357952000		9357952000	
407-1	Motor Rod	9357931005		9357931005		9357931005		9357931005		9357931005	
407-2	Louver Rod	9357932002		9357932002		9357932002		9357932002		9357932002	
407-3	Louver Stopper	9357934006		9357934006		9357934006		9357934006		9357934006	
408	Louver Link	9357935003		9357935003		9357935003		9357935003		9357935003	
431	Fixture-A	313546156408		313546156408		313546156408		313546156408		313546156408	
554	Flap Link-Upper	9357924007		9357924007		9357924007		9357924007		9357924007	
555	Flap Link-Lower	9357925004		9357925004		9357925004		9357925004		9357925004	
556	Diffuser Link	9357926001		9357926001		9357926001		9357926001		9357926001	
557	DiffuserSpring	9357947006		9357947006		9357947006		9357947006		9357947006	
558	Rod-A	9357927008		9357927008		9357927008		9357927008		9357927008	
559	Rod-B	9357928005		9357928005		9357928005		9357928005		9357928005	
652-1	Thermistor Holder Pipe	313806262805		313806262805		313806262805		313806262805		313806262805	
679	Cover (Pipe)	9357916019		9357916019		9357916019		9357916019		9357916019	
683	Balance Spring	9358151006		9358151006		9358151006		9358151006		9358151006	
684	Motor Base	9357929002		9357929002		9357929002		9357929002		9357929002	
686	Holder (Relay)	9362203012		9362203012		9362203012		9362203012		9362203012	
731-2	Holder (Guide Rail)	600241018		600241018		600241018		600241018		600241018	
743	Remote Control Unit Holder	9359955016		9359955016		9359955016		9359955016		9359955016	
755	Cover (Casing)-L	9363786019		9363786019		9363786019		9363786019		9363786019	
756	Cover (Casing)-B	9363787016		9363787016		9363787016		9363787016		9363787016	
759	Intake Grille-F	9357896014		9357896014		9357896014		9357896014		9357896014	
761	Cover (Side)-R	9357901015		9357901015		9357901015		9357901015		9357901015	
762	Cover (Side)-L	9357902012		9357902012		9357902012		9357902012		9357902012	
767-1	Bottom Cover-A	9357949017		9357949017		9357949017		9357949017		9357949017	
767-2	Bottom Cover-B	9357950013		9357950013		9357950013		9357950013		9357950013	
776	Hook (Grille)-R	9357986012		9357986012		9357986012		9357986012		9357986012	
777	Hook (Grille)-L	9357985015		9357985015		9357985015		9357985015		9357985015	
815	Terminal-6P	9357123042		9357123042		9357123042		9357123042		9357123042	
850	Receiver Window	9357917016		9357917016		9357917016		9357917016		9357917016	
853	Indicator PCB Holder	9362202015		9362202015		9362202015		9362202015		9362202015	
875	Filter PCB Assy	9703096013		9703096013		9703096013		9703096013		9703096013	
876-1	Step Motor-H	9703229015		9703229015		9703229015		9703229015		9703229015	
876-2	Step Motor-V	9703229022		9703229022		9703229022		9703229022		9703229022	
925	Panel (Eva. Right)-B	9357909004		9357909004		9357909004		9357909004		9357909004	
938	Control Box Cover	9362201018		9362201018		9362201018		9362201018		9362201018	
958	Bracket, Panel (Eva.)	9358626009		9358626009		9358626009		9358626009		9358626009	
960	Diffuser	9357941011		9357941011		9357941011		9357941011		9357941011	
963	Fan Guard	9357936000		9357936000		9357936000		9357936000		9357936000	
976	Display Window	9357903019		9357903019		9357903019		9357903019		9357903019	

ASU18C1  
 ASU18R1  
 ASU24C1  
 ASU24R1

When you order parts, please make a photocopy of this page and fill the number of the parts in the "Order" column.

**OUTDOOR UNIT**

Ref. No.	Description	Part No.							
		AOU18C1	Ord. Q' ty	AOU18R1	Ord. Q' ty	AOU24C1	Ord. Q' ty	AOU24R1	Ord. Q' ty
2	Fan Cover	9363678000		9363678000		9363678000		9363678000	
4	Emblem-Rear "Fujitsu"	9351355005		9351355005		9351355005		9351355005	
5	Cabinet-A, Painted	9303876015		9303876015		9303876015		9303876015	
6	Cabinet-C, Painted	9353549013		9353549013		9353549013		9353549013	
9	Cabinet-B, Painted	9303874011		9303874011		9303874011		9303874011	
10	Noise Insulation-E	313791106305		313791106305		313791106305		313791106305	
12	Base Assy, Painted	9353452016		9353452016		9353452016		9353452016	
13	3-Way Valve Assy	9357963013		9357963013		9357963013		9357963013	
14	2-Way Valve Assy	9357964010		9357964010		9357964010		9357964010	
15	Dryer	313791082502		9350380046		313791082502		9300589017	
16	Condenser Assy	9355487023		9357113012		9356015027		9363794014	
17	"U" Pipe-Y	---		313728127102		---		---	
18	Suction Pipe	9363792003		9364138008		9363702002		9363660005	
19	Capillary Tube	9363793000		---		9363700008		---	
19-1	Capillary Tube-A	---		9364141008		---		9363663006	
19-3	Capillary Tube-C	---		---		---		9363665000	
19-4	Capillary Tube-B	---		9364142005		---		9363664003	
20	Discharge Pipe	9355976008		9357470009		9355976008		9357470009	
21	Discharge Pipe-B	---		9364303000		---		9364303000	
26	Compressor Cover	9354036000		9354036000		9354036000		9354036000	
29	Separate Wall	313986033213		313986033213		313986033213		313986033213	
32	Control Box Metal-A	9355491006		9355491006		9355491006		9355491006	
34	Capacitor (Fan Motor)	9355306010		9355306010		9355306010		9355306010	
37	Running Capacitor	9356386059		9356386059		9356386059		9356386059	
38	Capacitor Clamp Metal	313468061808		313468061808		313468061808		313468061808	
39	Propeller Fan Assy	9300855013		9300855013		9300855013		9300855013	
41	Fan Motor Assy-OUT	9351333164		9351333164		9351333164		9351333164	
45	Motor Fixing Table Assy	313029311100		313029311100		313029311100		313029311100	
46	Compressor Assy	9363766004		9363766004		9363668001		9363668001	
47-1	Rubber (Discharge Pipe)	313194159807		---		313194159807		---	
54	Condensing Pipe	---		313986123207		---		---	
55	Special Nut M8	313252257701		313252257701		313252257701		313252257701	
62	Wire Assy (Shield)-A	9363791006		9363791006		9363791006		9363791006	
67	Rubber (Vibration-proof)	313659068604		313659068604		313659068604		313659068604	
108	Sleeve-A (For Comp. )	313696081700		313696081700		313696081700		313696081700	
109	Terminal Cover (For Comp. )	9355987004		9355987004		9355987004		9355987004	
110	Lock Wire (For Comp. )	9355989008		9355989008		9355989008		9355989008	
111	Terminal Packing (For Comp. )	9355988001		9355988001		9355988001		9355988001	
128-1	Rubber (Discharge Pipe)	313155086308		313155086308		313155086308		313155086308	
178-1	Capillary Holder Rubber	313414274807		313414274807		313414274807		313414274807	
187	Clamp No. 1219	313361271706		313361271706		313361271706		313361271706	
196-1	Clamp SKB-3M	312300787605		312300787605		312300787605		312300787605	
218-3	Power Relay	9353619006		9353619006		9353619006		9353619006	
232	Pipe Assy	9300990035		9300990035		9300990035		9300990035	
246	Outlet Pipe-A	---		---		---		9363669008	
259	Muffler	---		313755083903		---		313755083903	
271	Rubber (4-Way Valve)	---		313728251908		---		313728251908	
272	Strainer	---		313791086401		---		9300590013	
330	Inlet Pipe-A	---		313986023206		---		---	
332	Suction Pipe-E	---		9357511009		---		9357511009	
335	Outlet Pipe-B	---		---		---		9363670004	
338	Motor Fixture Metal	313029297108		313029297108		313029297108		313029297108	
343	Solenoid Coil	---		9363671001		---		9363671001	
344	4-Way Valve	---		313943302804		---		9300604017	
360	4-Way Valve Band	---		313986251802		---		313986251802	
371	Process Pipe-B	313142082352		313142082352		313142082352		---	
425	Earth Terminal	9355678001		9355678001		9355678001		9355678001	
519	Check Valve Assy	---		9363795028		---		9363795011	
620	Inlet Pipe (Cond. ) Assy	---		---		---		9363796018	
646	Compressor Cover-B	313986355101		313986355101		313986355101		313986355101	
717	Center Plate	9363776003		9363776003		9363776003		9363776003	
750	Pipe-A Assy	9301003017		---		9301003017		---	
815	Terminal-8P	9357123028		9357123028		9357123028		9357123028	
823	Fuse Holder	500802111		500802111		500802111		500802111	
824	Fuse	600106546		600106546		600106546		600106546	
826	Condensing Pipe-B	9353601001		9353580016		9353601001		---	
826-2	Condensing Pipe-B	---		313986175805		---		---	
940	Hole Plug	9355891004		9355891004		9355891004		9355891004	
941	Conduit Plate Metal	9355482004		9355482004		9355482004		9355482004	
984	U-Pipe (Y)	---		---		---		9305523009	

When you order parts, please make a photocopy of this page and fill the number of the parts in the "Order" column.

**OUTDOOR UNIT**

Ref. No.	Description	Part No.		Ref. No.	Description	Part No.	
		AOU30C1	Ord. Q' ty			AOU30C1	Ord. Q' ty
2	Fan Cover	9359150015		111	Terminal Packing	9355988001	
4	Emblem-Rear "FUJITSU"	9351355005		185	Rubber Bushing	313005066051	
5	Cabinet-A, Painted	9352146015		218-3	Power Relay	9353619006	
6	Cabinet-C, Painted	9352149016		259	Muffler	313755083903	
8	Wire Assy (Shield)-D	9359451006		405	Clamp No. 1763	313816345304	
9	Cabinet-B, Painted	9352147012		407	Clamp (Cable) No. 1259	31373940109	
12	Base Assy Painted	9352136016		425	Earth Terminal	9355678001	
15	Dryer	9300589031		527	Protection Net	9352163012	
16	Condenser Assy	9352128011		620	Inlet Pipe (Cond. ) Assy	9355335010	
18	Suction Pipe	9359193005		646	Compressor Cover-B	313986355101	
19	Capillary Tube	9359454007		734	Cabinet Top Plate	9352161018	
20	Discharge Pipe	9359194002		803	Cabinet-D, Painted	9359148012	
21	Discharge Pipe-B	9353120007		805	Blower Cover Corner	9352160011	
26	Compressor Cover-A	9352416002		806	Cond. Pass Pipe-A	9352294006	
29	Separate Wall Assy	9355277013		807	Cond. Pass Pipe-B	9353090010	
30	Blower Cover	9352151019		809	Valve-A	9357976006	
32	Control Box, Metal	9352134012		810	Valve-B	9357982007	
34	Capacitor (Fan Motor)	9357965024		812	Grip	9352157004	
37	Running Capacitor	9358725016		813	Cabinet Hook	9352148002	
38	Capacitor Clamp Metal	313791061807		816	Wire Clamp Metal	313584219902	
39	Propeller Fan Assy	9300855013		817	Thermostat Fixture	9352164019	
41	Fan Motor Assy-OUT	9600266038		819	Joint Pipe (Valve-A)	9353083005	
45	Bracket (Motor) Assy	9352141003		820	Joint Pipe (Capillary)	9352299001	
46	Compressor Assy	9359359005		821	Joint Pipe (Valve-B)	9352284007	
48	Bracket (Coupler) Assy	9355281010		822	Fan Cover Fixture-A	9352158018	
54	Condensing Pipe-A	9352296000		823	Fuse Holder	500802111	
55	Special Nut M8 (For Comp. )	313252257701		824-2	Fuse	600106522	
107	Rubber Seat-A (For Comp. )	313102081406		826	Condensing Pipe-B	9352297007	
108	Sleeve-A (For Comp. )	313696081700		833	Auxiliary Pipe Assy	9355292016	
109	Terminal Cover (For Comp. )	9355987004		917	Terminal-8P	9359456001	
110	Lock Wire	9355989008					

ASU18C1  
ASU18R1  
ASU24C1  
ASU24R1  
ASU30C1

When you order parts, please make a photocopy of this page and fill the number of the parts in the "Order" column.

CONTROLLER PCB ASSEMBLY (Ref. No.236)

( ) : Reverse cycle model

Ref. No.	Description	Part No.	Order Q'ty	Ref. No.	Description	Part No.	Order Q'ty
IC1	IC $\mu$ PD78014HCW-022	9703236013		C7	Cap.Plastic 50V 0.047 $\mu$ F	0300169339	
IC3	IC NJM 7805FA	0100462081		C8	Cap.Elec 25V 100 $\mu$ F	0301197560	
IC4~6	IC $\mu$ PA2003GR	0100028041		C9	Cap.Elec 25V 1000 $\mu$ F	0301196495	
IC7	IC NM93C46M8-X	0101622026		C10,33,36,41	Cap.Elec 25V 10 $\mu$ F	0301192312	
IC8	IC PST600CMTR	0101461120		C12	Cap.Elec 25V 1000 $\mu$ F	0301158264	
IC9	IC TLP621 (D4)-G8	0000117074		C13,15,34,37,39,44,45	Cap.Ceramic 50V 0.1 $\mu$ F	0300311752	
Q1	Xstr 2SC4236	0000164047		C14	Cap.Elec 25V 100 $\mu$ F	0301192350	
Q2	Xstr 2SC1740S	0000699235		C16~31,38,40,42,46,49	Cap.Ceramic 50V 0.01 $\mu$ F	0300311738	
Q3,4	Xstr DTC124EKA	0000936033		C32,35,43,50~53	Cap.Ceramic 50V 1000pF	0300308509	
D1	Dide D3SB60	0000689045		C54	Cap.Ceramic 0.01 $\mu$ F	0300209127	
D2,4,7	Dide D1FL20U	0000746519		R40,41	Res. 4.7k $\Omega$ $\pm$ 5%	0200212906	
D3	Dide MTZJ5.1B	0000852166		R43	Res. 10k $\Omega$ $\pm$ 1%	0200279497	
D5	Dide 1SR139-600	0000353120		R45	Res. 49.9k $\Omega$ $\pm$ 1%	0200279824	
D6	Dide D2FL20U	0000906500		R54	Res. 47 $\Omega$ $\pm$ 5%	0200212425	
D8	Dide D1F60	0000208024		X1	Ceramic Resonator EF0EC8384T4	9701261017	
D9	Dide DA226U	0000625036		BZ1	Buzzer PKM13EPY-4000-TF01	9701298013	
D12	Dide DAN202K	0000684019		K1,3,(6,7)	Relay JQ1-12V	9701316014	
R1	Res.Cement 3.3 $\Omega$ $\pm$ 5%	0200244372		K5	Relay JQ1P-12V	9701794010	
R2	Res.Metal 1.5 $\Omega$ $\pm$ 5%	0201107119		SSR1	Relay G3M-202P-US	9701317011	
R3	Res. 100 $\Omega$ $\pm$ 5%	0200212500		CR(2),3	Network RPEL-121204	9701125012	
R4	Res.Carbon 330k $\Omega$ $\pm$ 5%	0200111391		CN7	Plug, PCB B2B-XAKK-1-A	0501045227	
R5	Res.Metal 62k $\Omega$ $\pm$ 5%	0201107997		CN8	Plug, PCB B2B-XASK-1-A	0501045012	
R6	Res. 100 $\Omega$ $\pm$ 5%	0200731506		CN9	Plug, PCB B5P-SHF-1AA	0500006069	
R7	Res. 330 $\Omega$ $\pm$ 5%	0200708621		CN10	Plug, PCB B5B-XASK-1-A	0501045043	
R8,10,13,15~17,21~24,29~32,37,39,48,50,52,53,55,59,68	Res. 10k $\Omega$ $\pm$ 5%	0200213019		CN11	Plug, PCB B5B-XARK-1-A	0501045517	
R9,47	Res. 390 $\Omega$ $\pm$ 5%	0200212647		CN12	Plug, PCB B3B-XASK-1-A	0501045029	
R11	Res.Metal 56k $\Omega$ $\pm$ 5%	0201106662		CN13	Plug, PCB B7B-XASK-1-A	0501045067	
R12,18~20,25~28,33~36,38,42,44,46,49,51,56~58,67	Res. 1k $\Omega$ $\pm$ 5%	0200212746		CN14	Plug, PCB B4B-XH-AM	0500005314	
CJ1,2, JM7	Res. 0 $\Omega$	0200212012					
C5	Cap.Elec 450V 100 $\mu$ F	0300256060					
C6	Cap.Plastic 4700pF	0300269091					
(SW1)	Switch, Slide DSS803	9701392018					
SW3	Switch, Push EVQPF04R	9700891017					
VA2	Varistor TNR12G471K	0000038010					
T1	Transformer ETS28A5118AH	9702727017					
CN1	Plug, PCB B2P3-VH-B-C	0500011773					
(CN2)	Plug, PCB B3P5-VH-B-R	0500011803					
CN4	Plug, PCB B2P3-VH-B-Y	0500011827					
CN5	Plug, PCB 5430C063	0500957026					

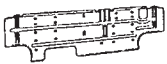





INDICATOR PCB ASSEMBLY (Ref. No.385)

FILTER PCB ASSEMBLY (Ref. No.875)







Ref. No.	Description	Part No.	Order Q'ty
D201	Diode SLR-325VC RED	0000813259	
D202	Diode SLR-325MC GRN	0000813242	
D203,204	Diode SLR-325 ORG	0000813235	
C201	Cap. Ceramic 0.1 $\mu$ F	0300988251	
C202	Cap. Elec. 25V 10 $\mu$ F	0300004258	
R201~204	Res. Carbon 1/4W 330 $\Omega$ $\pm$ 5%	0201038659	
PHA201	Remote Control Amplifier SBX1810-22	0101525129	
CN201	Wire/Connector L=430 Lamp Holder	9701856015 9357958002	

Ref. No.	Description	Part No.	Order Q'ty
SA101	Arrester DSA-362MA-05	0600168032	
VA101,102	Varistor TNR12G471K	0000038010	
C101,102	Cap.Plastic 0.22 $\mu$ F	0300304099	
TM101,102	Plug Contact 86028	0500536016	
LF101	EMI Filter ELF17N015A	0400197119	
F101	Fuse MT3 3A-250V	0600239527	
E101	Wire w/Terminal (GRN) L=250	9701880010	
W101	Wire w/Terminal BLK L=120	9702060039	
W102	Wire w/Terminal WHT L=180	9703088018	
W103,104	Wire Assy 2P	9702080013	


SANDARD ACCESSORIES  
INDOOR UNIT ACCESSORIES

Name and Shape	Part No.
Wall hook bracket 	9357952000
Remote control unit 	18C, 24C, 30C model 9359913108 (AR-DL10) 20R, 24R model 9359913092 (AR-DL9)
Battery (penlight) 	0600185534
Remote control unit holder 	9359955016
Tapping screw (big) (φ 4×20) 	301141164200
Tapping screw (small) (φ 3×12) 	301141533125

OUTDOOR UNIT ACCESSORIES(30, 000 BTU model)

Auxiliary pipe assembly 	9355292016
Edge cover 	9352436000
Tapping screw 	301463040100
Binder 	313035356905
Putty 	303020200114
Coupler heat insulation 	313005074759

OUTDOOR UNIT ACCESSORIES(18, 000 • 24, 000 BTU model)

Name and Shape	Part No.
Hexagon wrench 	9351228019

**Parts Orders**

Parts may be ordered from

FUJITSU GENERAL AMERICA, INC.

353 RTE 46 W.

FAIRFIELD NJ 07004 PHONE 1-973-575-0380

FAX 1-973-575-2194

Specify complete Part No., Model & Description to ensure  
correct parts are supplied.

FUJITSU GENERAL AMERICA, INC.

353 ROUTE 46W., FAIRFIELD, N.J. 07004