

SPLIT TYPE ROOM AIR
CONDITIONER

CEILING type (60Hz)

SERVICE MANUAL

Models	Indoor unit	Outdoor unit
	ABU36	AOU36

C O N T E N T S

SPECIFICATIONS	1
OUTLINE AND DIMENSIONS	2
REFRIGERANT SYSTEM DIAGRAM	3
CIRCUIT DIAGRAM	4
INDOOR PRINTED CIRCUIT BOARD CIRCUIT DIAGRAM	5
INDOOR P.C. BOARD LAYOUTS	6
REMOTE CONTROL UNIT CODE SWITCHING	7
DISASSEMBLY ILLUSTRATION	8
PARTS LIST	16

S P E C I F I C A T I O N S

TYPE	COOL
INDOOR UNIT	ABU36
OUTDOOR UNIT	AOU36
COOLING CAPACITY (BTU/h)	36,500 / 35,500

ELECTRICAL DATA

POWER SOURCE (V)	230 / 208
FREQUENCY (Hz)	1 ϕ 60
RUNNING CURRENT (A)	18.5 / 19.5
INPUT WATTS (kW)	3.85 / 3.80
EER (BTU/h·W)	9.48 / 9.34
MOISTURE REMOVAL (ℓ /hr)	4.1
AIR CIRCULATION-HI (m ³ /hr)	2,100

COMPRESSOR

TYPE	Hermetic type, 2 pole, induced by condenser
CODE	H23A383ABCA
REFRIGERANT R-22 oz. (g)	144.6 (4,100)

FAN MOTOR

POWER SOURCE (V)	230 / 208	
INDOOR UNIT	TYPE	MFA-45DZM
	HI-SPEED (r.p.m.)	1,250
	MED-SPEED (r.p.m.)	1,150
	LO-SPEED (r.p.m.)	1,000
OUTDOOR UNIT	TYPE	MFB-30BP
	HI-SPEED (r.p.m.)	790
	MED-SPEED (r.p.m.)	510

DIMENSIONS

INDOOR UNIT	inch(mm)	9-7/16" x 65-11/32" x 27-9/16" (240 x 1,660 x 700)
OUTDOOR UNIT		45-11/32" x 37 x 14-9/16" (1,152 x 940 x 370)

WEIGHTS

INDOOR UNIT	NET/GROSS lbs. (kg)	106 / 134 (48 / 61)
OUTDOOR UNIT		223 / 254 (101 / 115)

ADDITIONAL REFRIGERANT

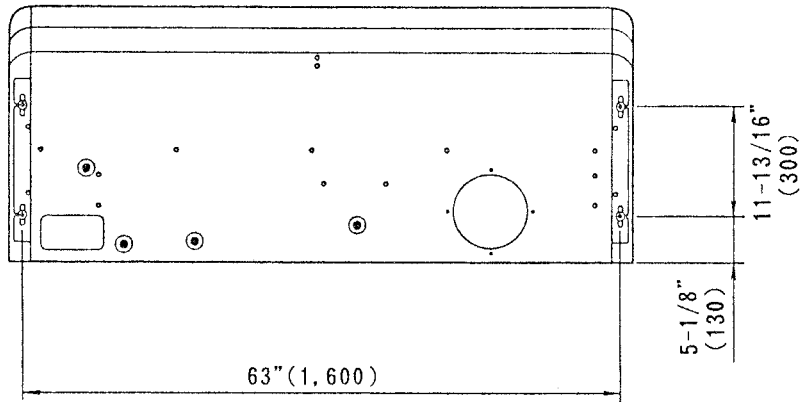
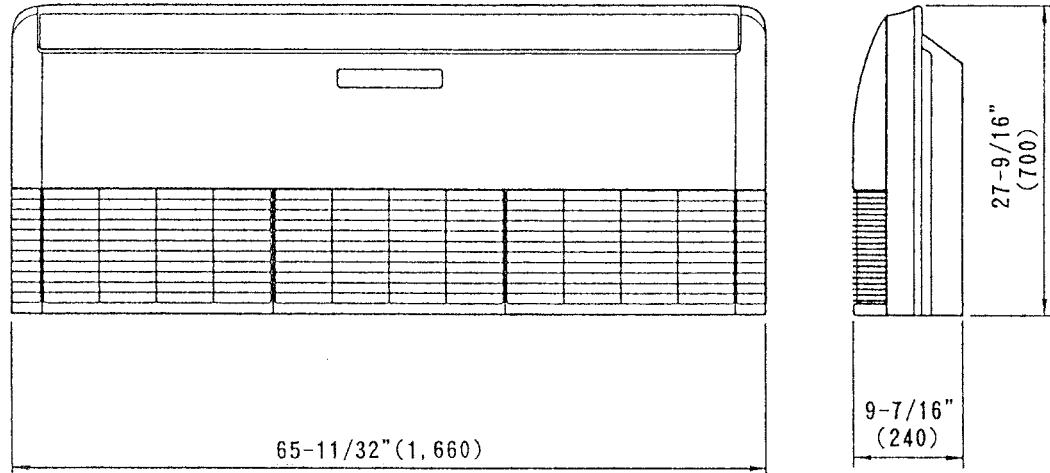
PIPE LENGTH	66 ft (20 m)	99 ft (30 m)	132 ft (40 m)	164 ft (50 m)
FULL CHARGE AMOUNT	144.6oz. (4,100 g)	158.7oz. (4,500 g)	172.8oz. (4,900 g)	187.0oz. (5,300 g)

Note : • Between 66 ft (20 m) and 164 ft (50 m), when using a connection pipe other than that in the table, charge additional refrigerant with 1.41 oz. (40 g) / 3.3 ft (1 m) as the criteria.
• Additional gas charge is not necessary with pipe length up to 66 ft (20 m).

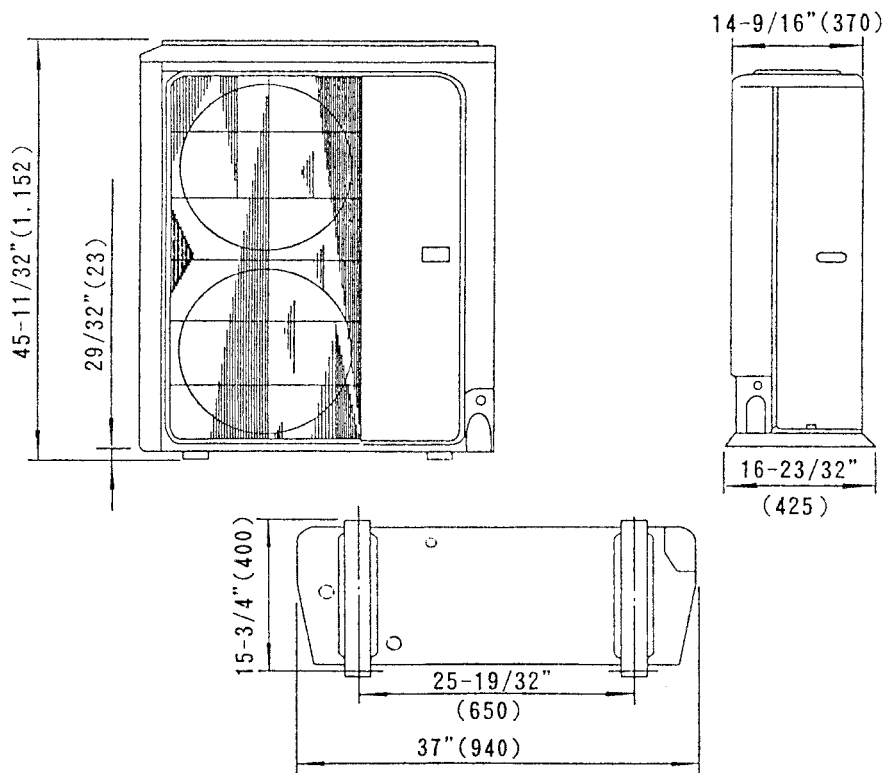
OUTLINE AND DIMENSIONS

Model : ABU36

Unit : inch (mm)

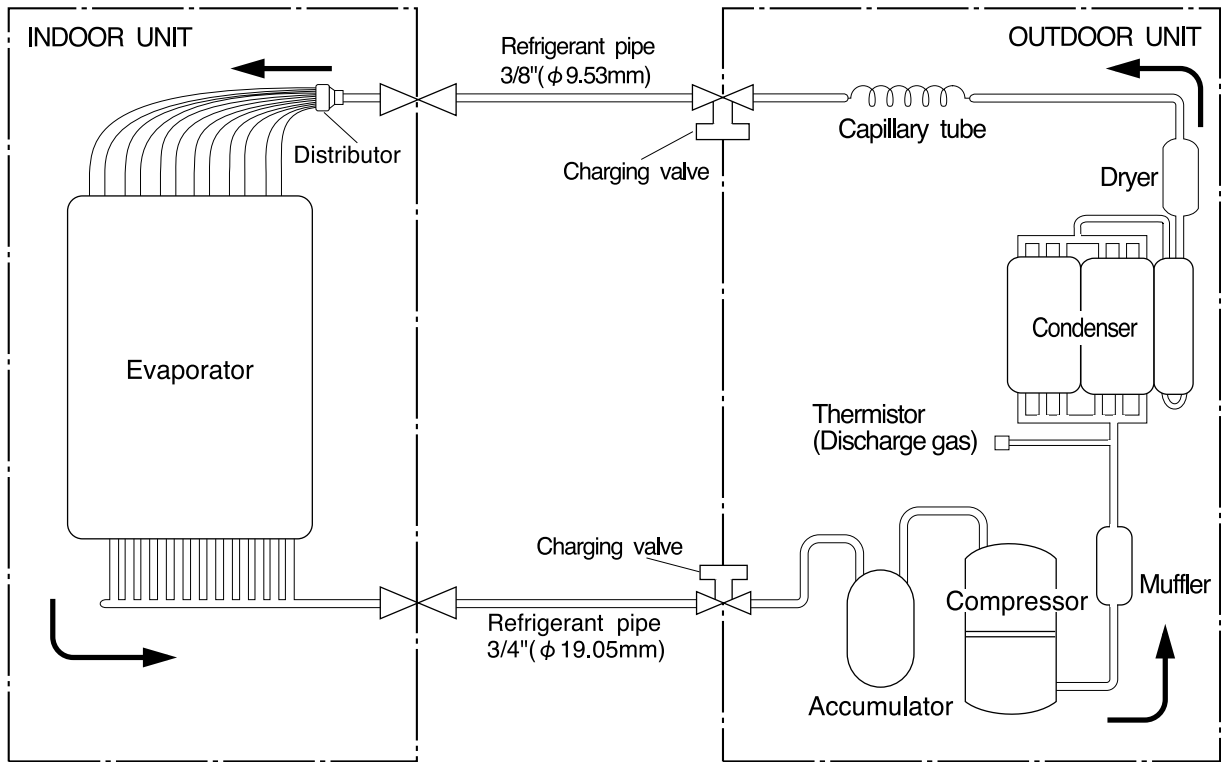


Model : AOU36



REFRIGERANT SYSTEM DIAGRAM

Models : ABU36 / AOU36

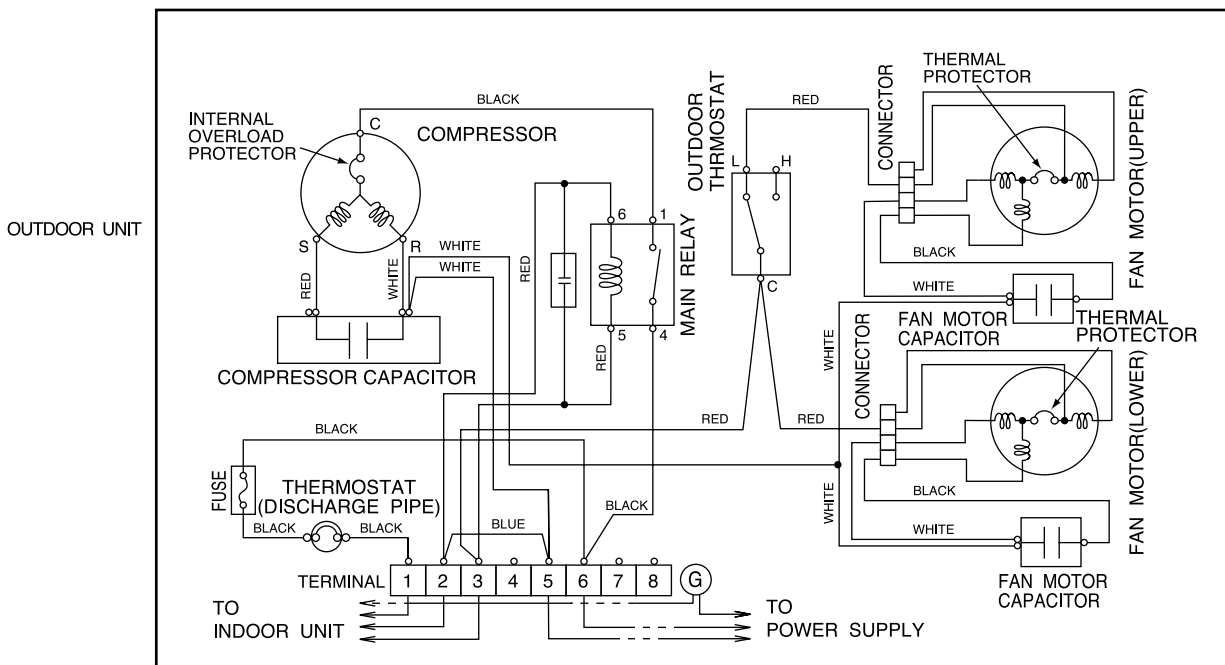
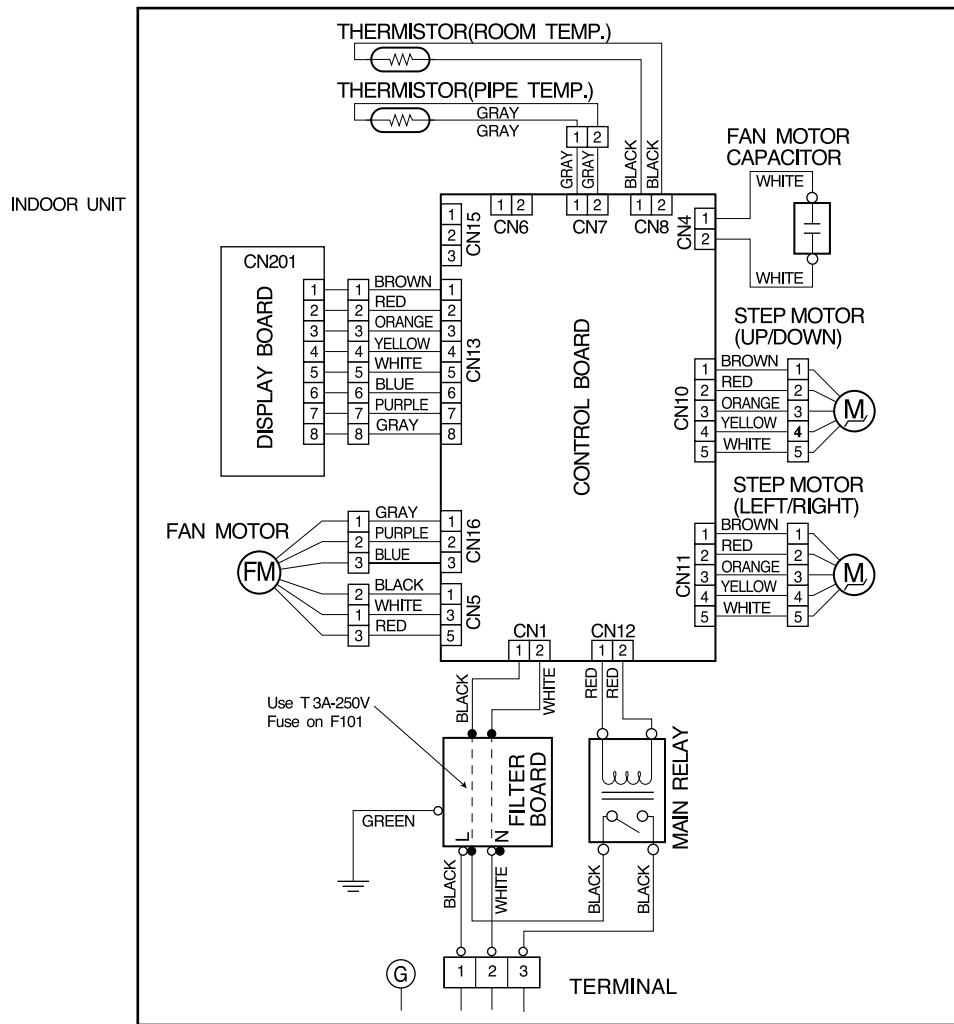


\bowtie : Flare coupling

\longrightarrow : Cooling

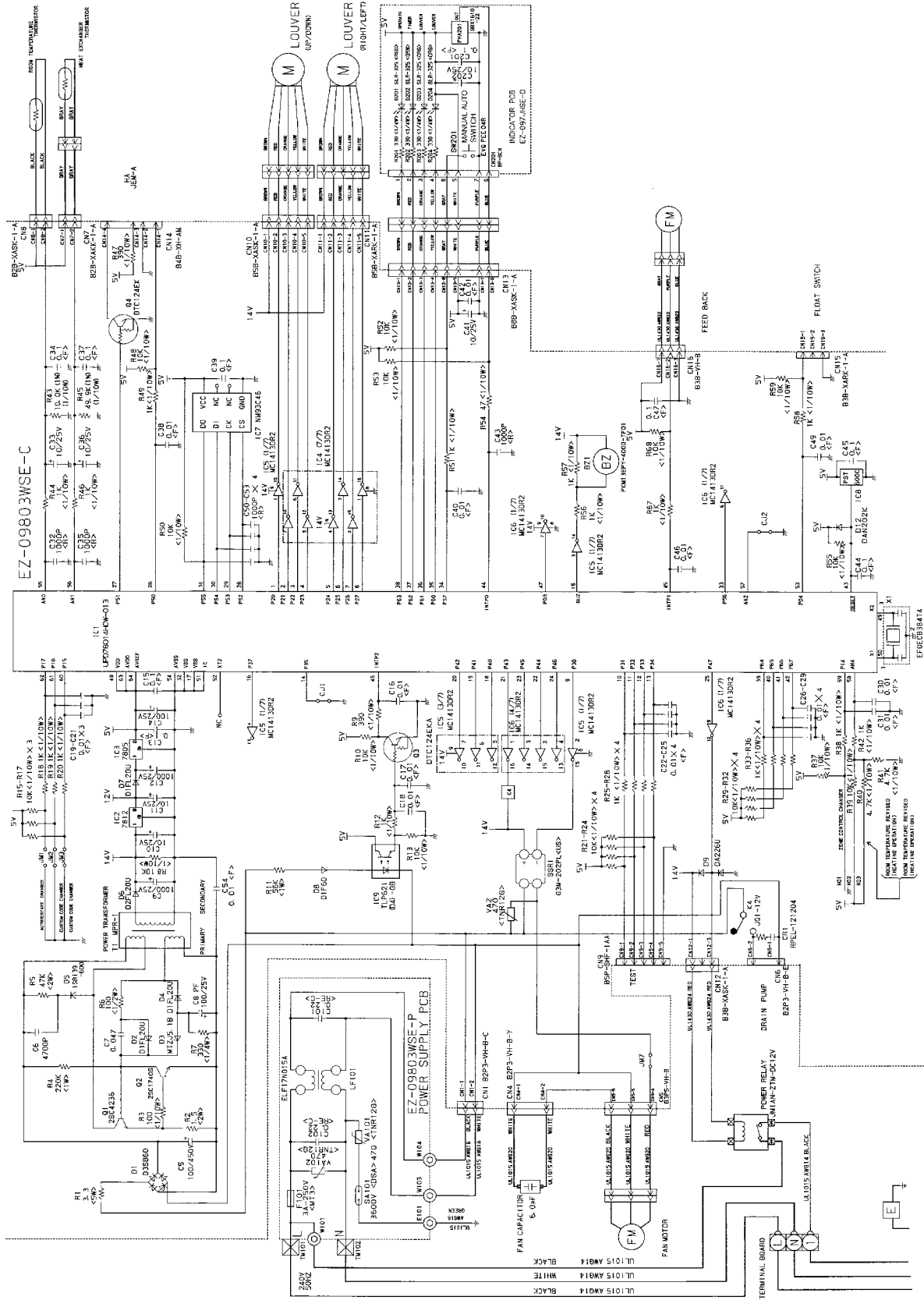
C I R C U I T D I A G R A M

Models : ABU36 / AOU36



INDOOR PRINTED CIRCUIT BOARD CIRCUIT DIAGRAM

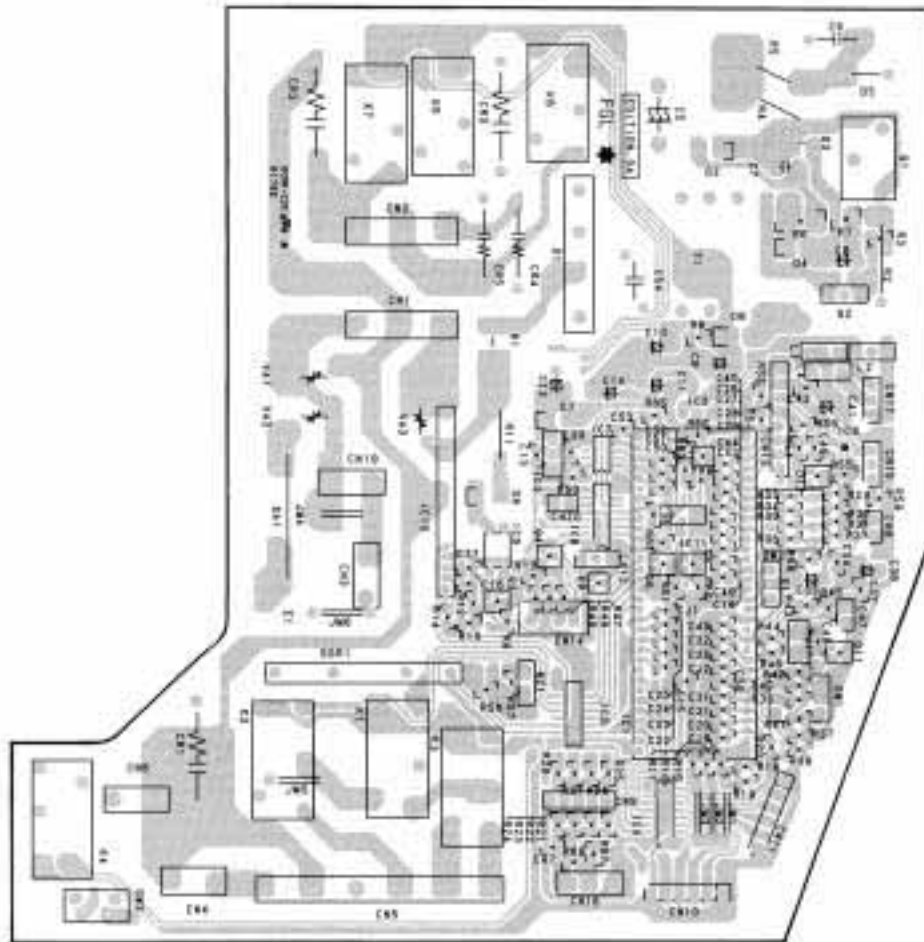
Model : ABU36



INDOOR P.C. BOARD LAYOUTS

Model : ABU36

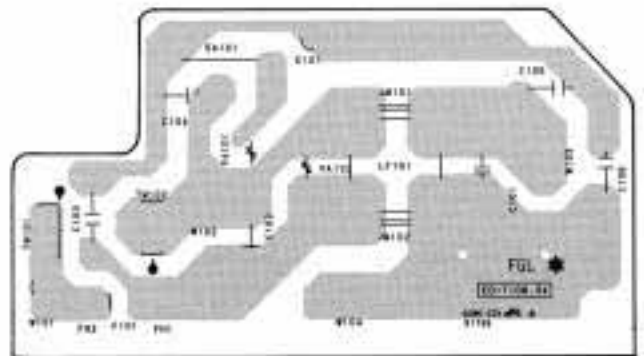
CONTROLLER P.C. BOARD ASSEMBLY (Viewed from the solder side)



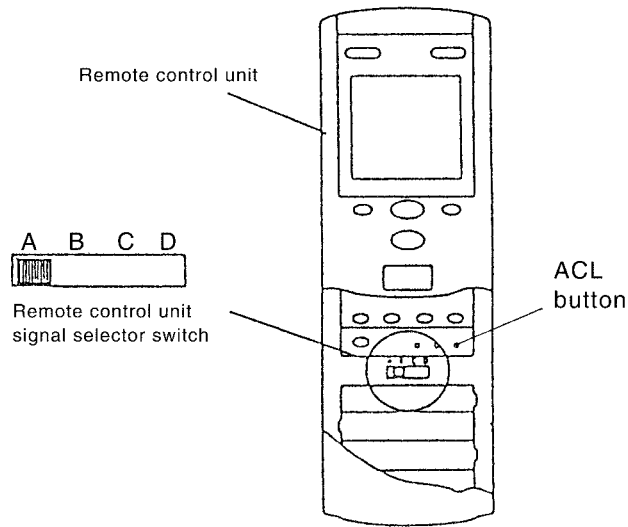
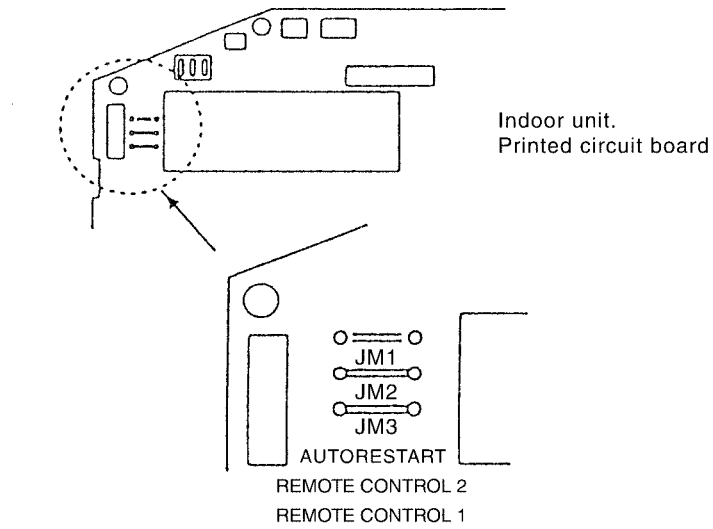
INDICATOR P.C. BOARD ASSEMBLY (Viewed from the solder side)



FILTER P.C. BOARD ASSEMBLY (Viewed from the solder side)



REMOTE CONTROL UNIT CODE SWITCHING



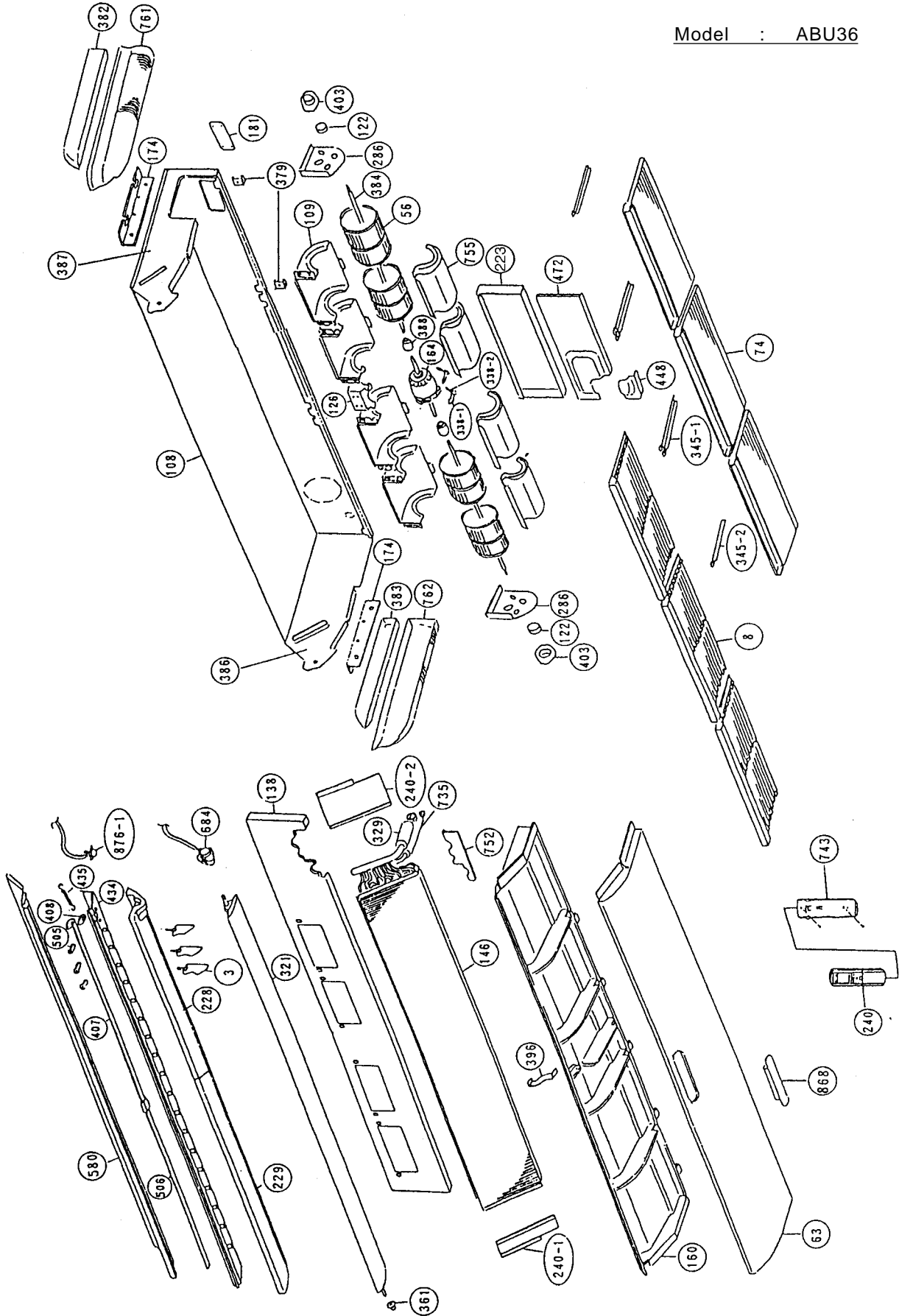
Confirm the remote control unit signal selector switch selection and printed circuit board setting.
If these are not confirmed, the remote control unit cannot be operated for the air conditioner.

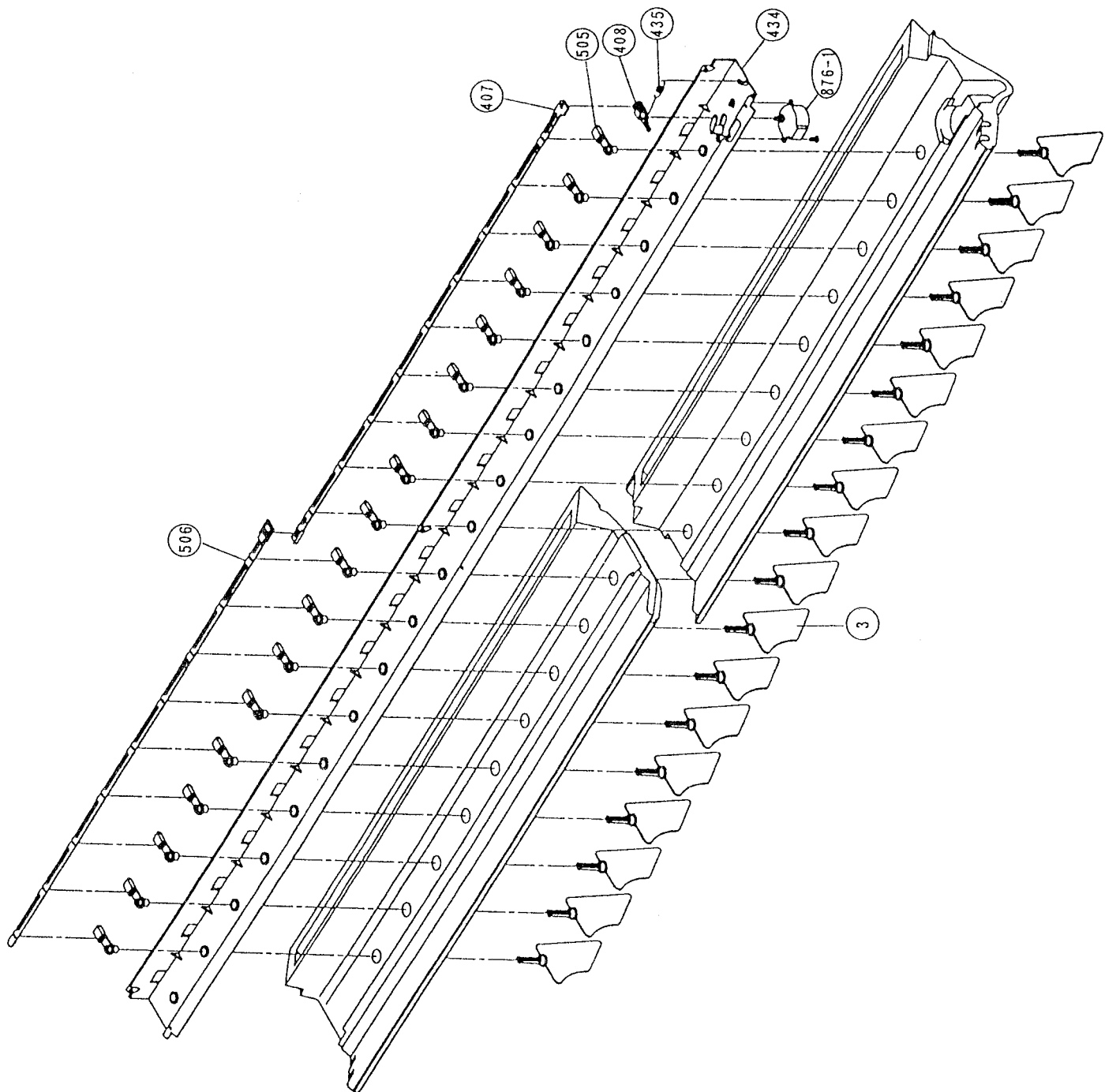
Jumper wire		Remote control unit signal selector switch
JM2	JM3	
Connect	Connect	A(Primary setting)
Connect	Disconnect	B
Disconnect	Connect	C
Disconnect	Disconnect	D

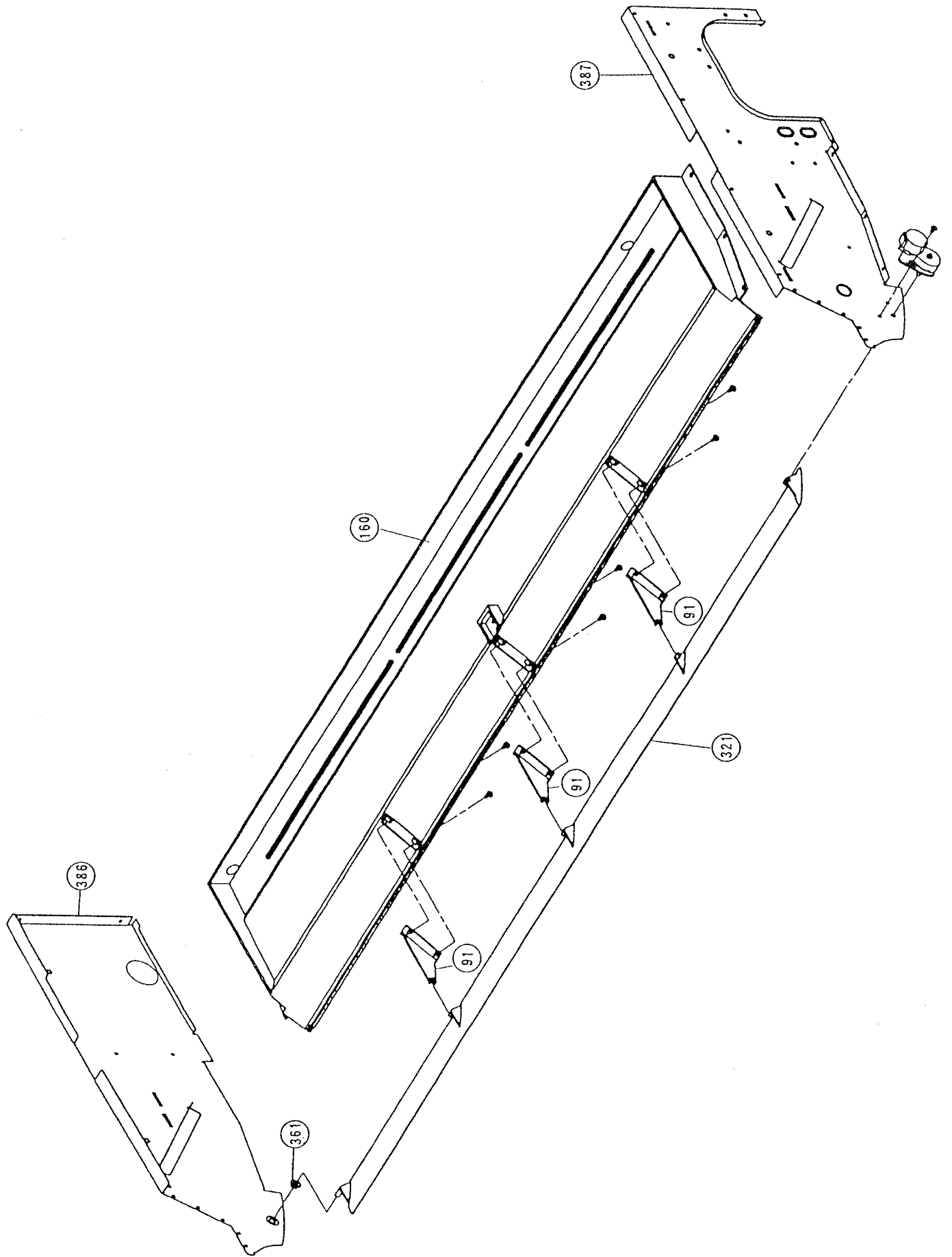
After setting the remote control unit signal selector switch, press the ACL button.

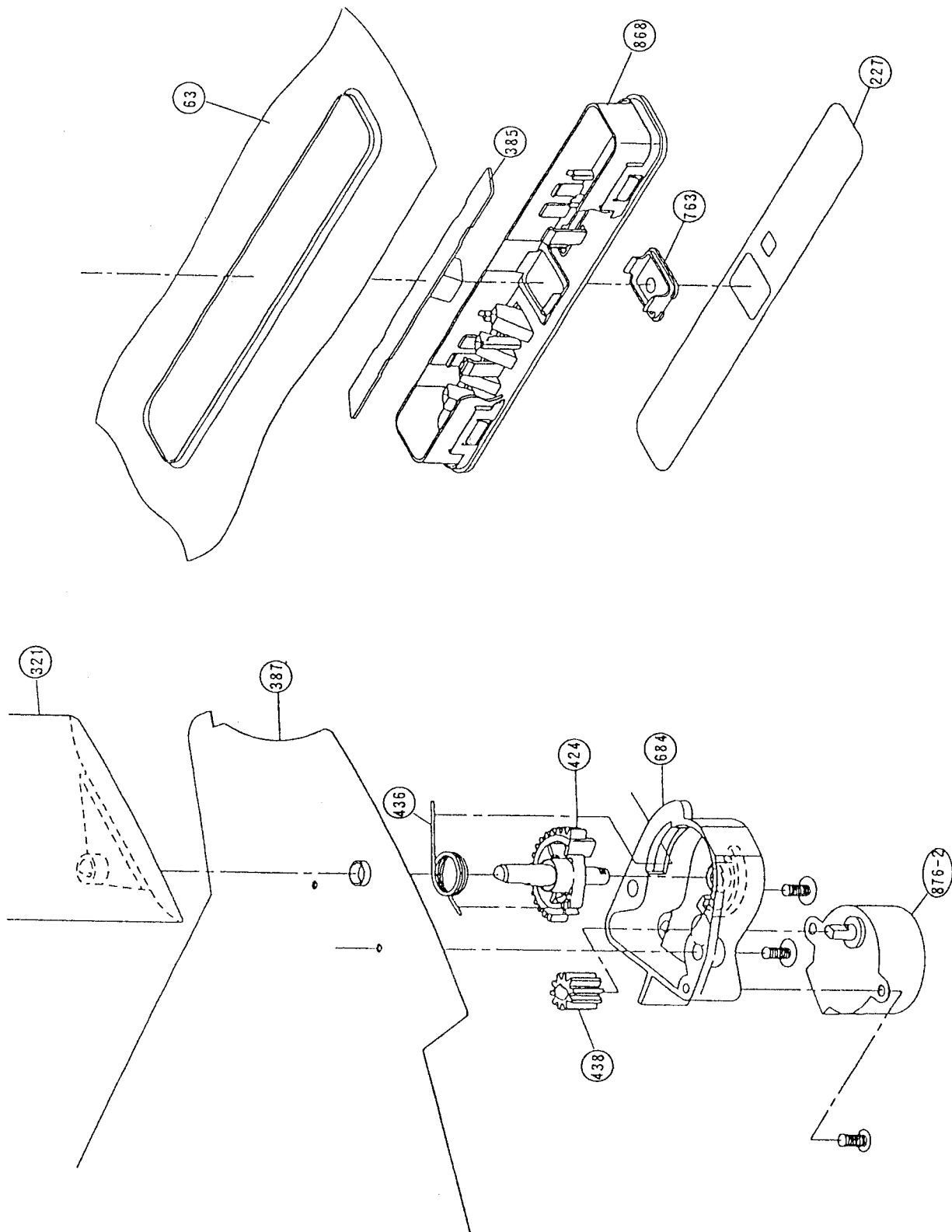
DISASSEMBLY ILLUSTRATION

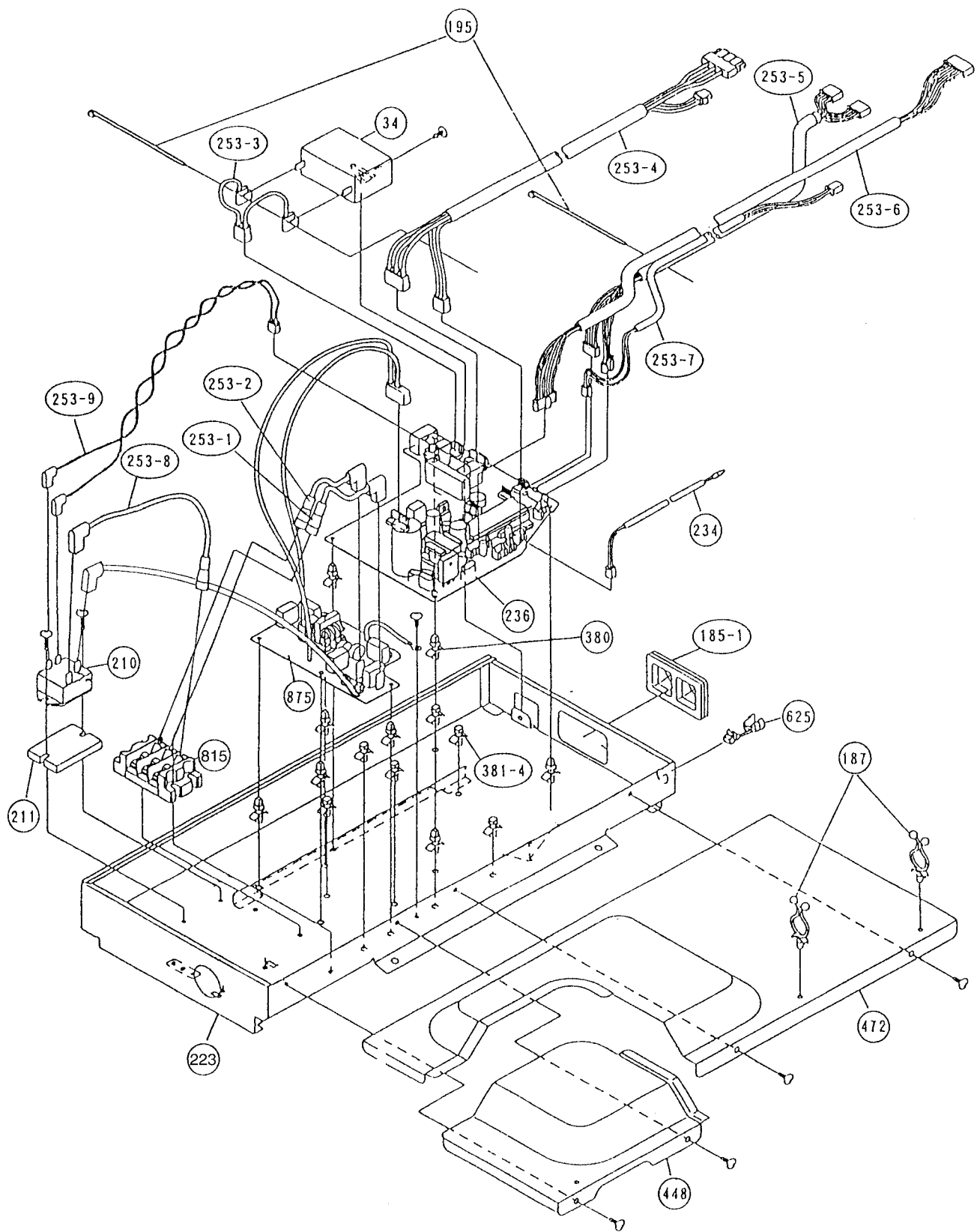
Model : ABU36



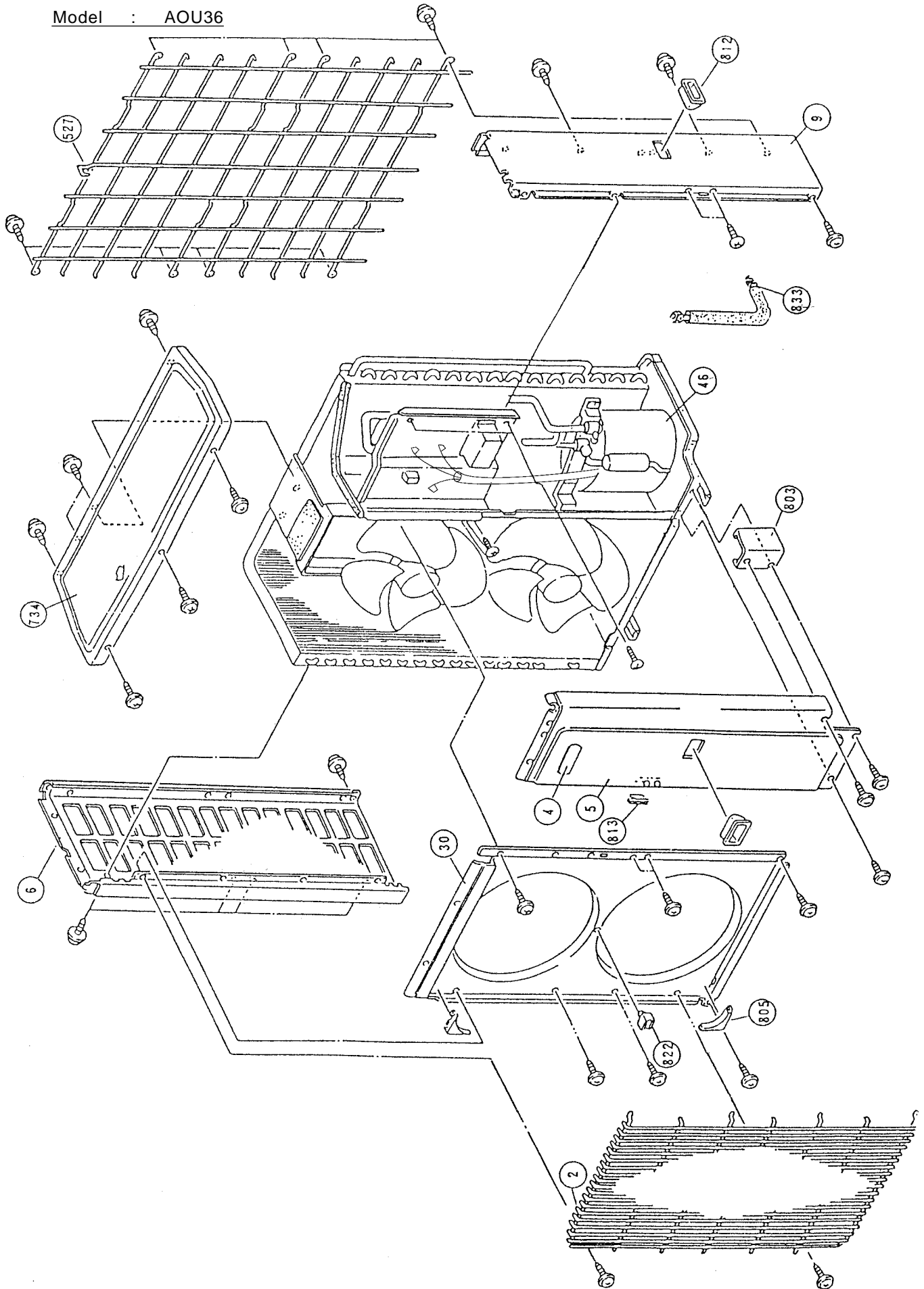


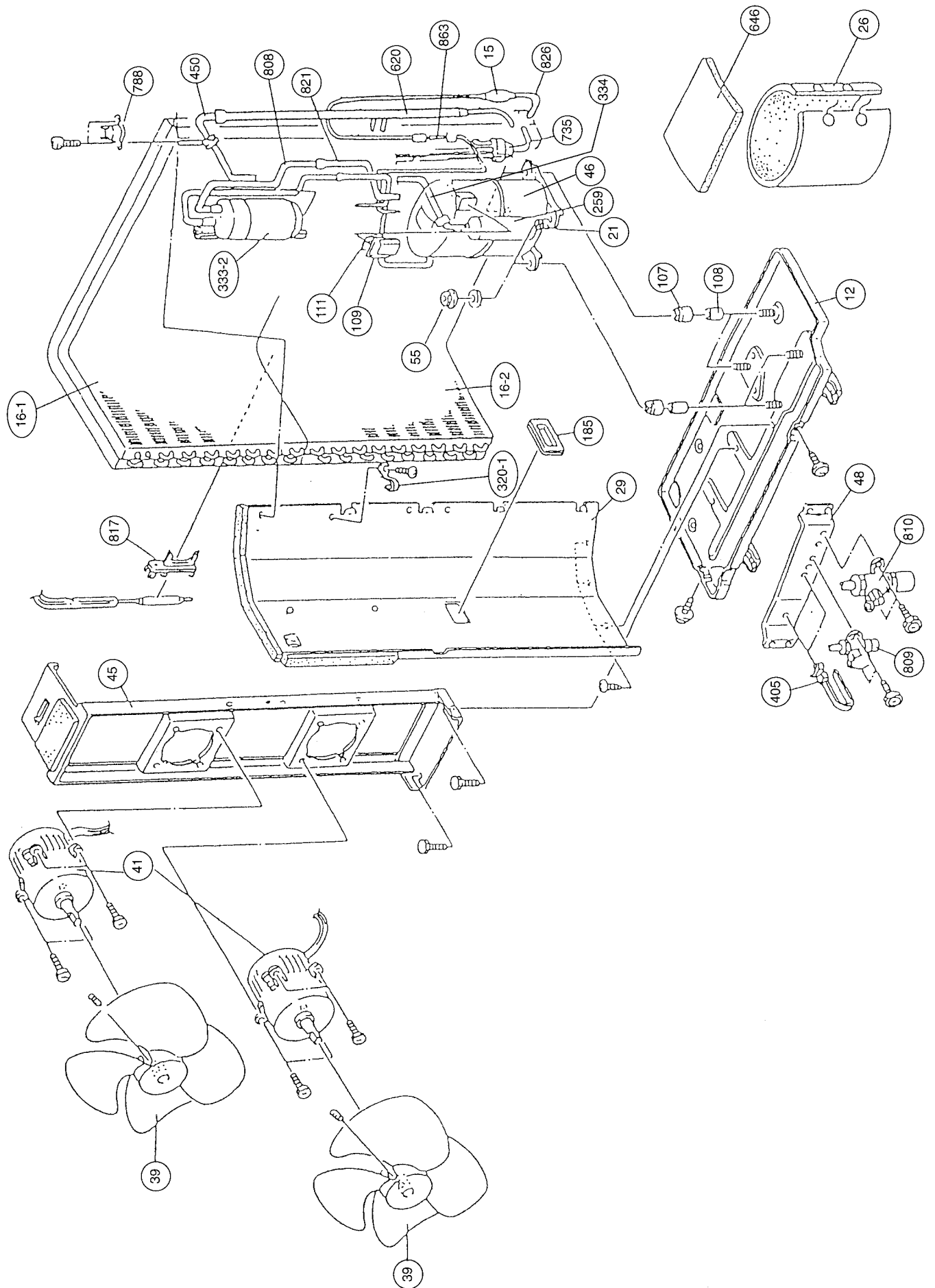


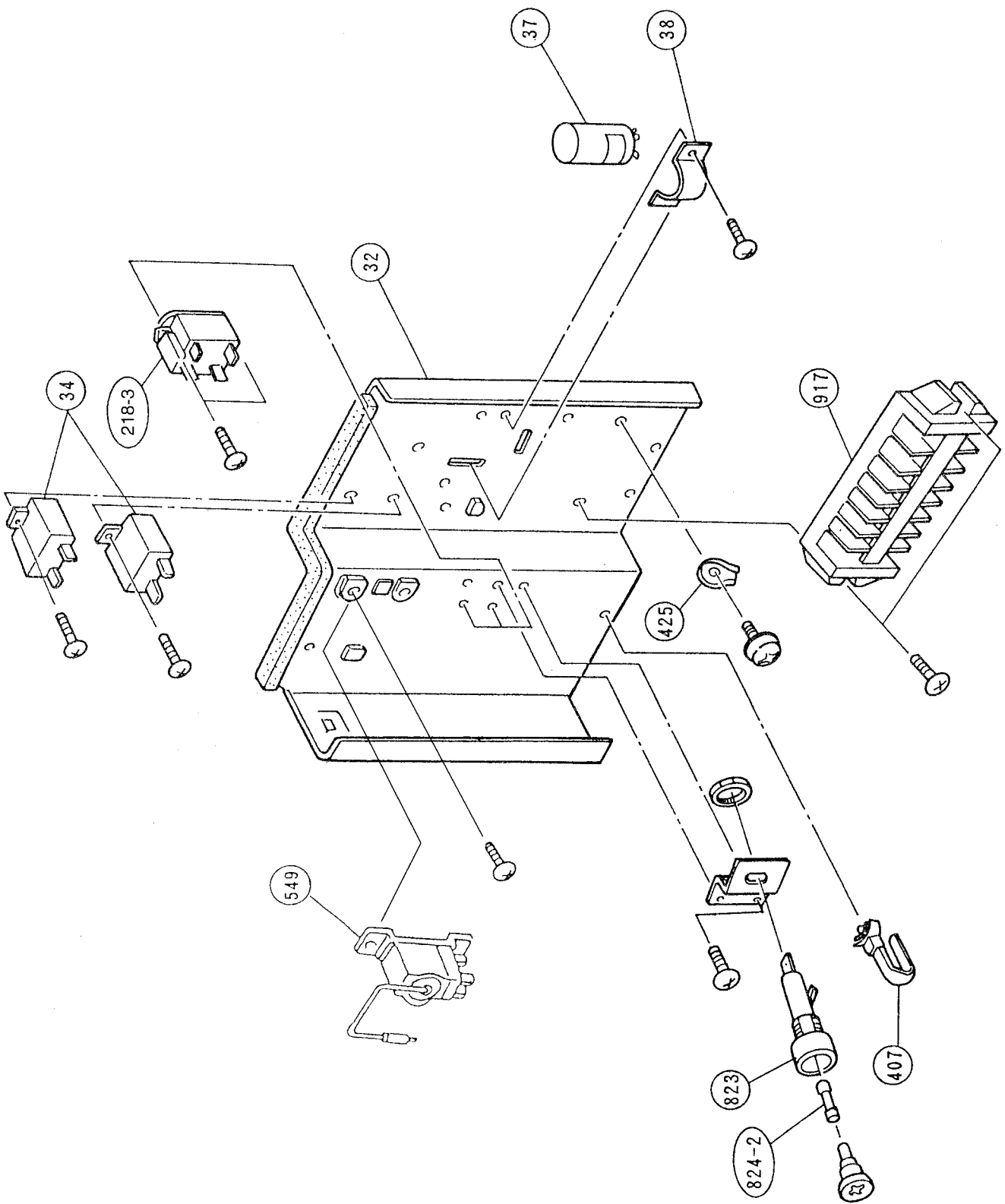




Model : AOU36







PARTS LIST

When you order parts, please make a photocopy of this page and fill the number of the parts in the "Order" column.

INDOOR UNIT

Ref. No.	Description	Part No.	Order Q'ty	Ref. No.	Description	Part No.	Order Q'ty
3	Louver	9359719007		338-1	Motor Fixture	9359702009	
8	Air Filter	9359739005		338-2	Motor-B Fixture	9359703006	
34	Capacitor (Fan Motor)	9703306068		345-1	Filter Guide-R	9359692003	
56	Sirocco Fan Assy	9359701002		345-2	Filter Guide-L	9359693000	
63	Front Panel	9359734000		361	Bushing	9359733003	
74	Intake Grille	9359738008		379	Grille Hinge Plate	9359694007	
91	Hinge	9359699002		380	Locking Spacer KGLS-6S	313209391403	
108	Base Assy	9359680000		381-4	Locking Spacer	0600118075	
109	Casing	9359704003		382	Decoration Cover-R	9359744009	
122	Shaft Holder-B	9357921006		383	Decoration Cover-L	9359745006	
126	Motor Fixing Table Metal	9359681007		384	Shaft, (Sirocco Fan)	9359707004	
138	Separate Wall	9359700005		385	Indicator PCB Assy	9702260019	
146	Evaporator Assy	9359696001		386	Panel-L	9359685005	
160	Drain Pan	9359698005		387	Panel-R	9359683001	
164	Fan Motor Assy-IN	9360457004		388	Joint Assy	9359706007	
174	Hanger Bracket Metal	9359742005		396	Rfm Bracket Metal	9359697008	
181	Hole Cover	9359691006		403	Shaft Holder Fixture	9359687009	
185-1	Rubber Bushing	9357376004		407	Motor Rod	9359723004	
187	Clamp No. 1219	313361271706		408	Louver Link	9359726005	
195	Clamp SKB-100	313361275805		424	Sector Gear	9359729006	
210	Main Relay	9356781007		434	Louver Base	9359718000	
211	Cushion Rubber	313806328306		435	Louver Spring	9359720003	
223	Control Box	9362025003		436	Flap Spring	9359730002	
227	Badge "FUJITSU"	9359735014		438	Pinion Gear	9359728009	
228	Insulation (Louver)-R	9359721000		448	Control Box Metal-B	9359713005	
229	Insulation (Louver)-L	9359722007		472	Control Box Metal-A	9359712008	
234	Thermistor Assy-Room	9703299025		505	Louver Stopper	9359724001	
236	Controller PCB Assy	9702469030		506	Louver Rod	9359725008	
240	Remote Control Unit	9359913108		580	Top Cover	9359737001	
240-1	Pipe Cover-L	9359690009		625	Cord Bushing	9359240006	
240-2	Pipe Cover-R	9359689003		684	Motor Base	9359727002	
253-1	Wire Assy (Connector)	9702363017		735	Distributor Assy	9360455000	
253-2	Wire Assy (Connector)	9702363024		743	Remote Control Holder Case	9359955016	
253-3	Wire Assy (Connector)	9702311018		752	Pipe Fixture	9359688006	
253-4	Wire Assy (Connector)	9702323011		755	Casing Cover	9359705000	
253-5	Wire Assy (Connector)	9702319014		761	Side Cover-R	9359740001	
253-6	Wire Assy (Connector)	9702317010		762	Side Cover-L	9359741008	
253-7	Wire Assy (Connector)	9702318017		763	Receiver Cover	9359714002	
253-8	Wire Assy (Connector)	9702362027		815	Terminal-3P	9305488018	
253-9	Wire Assy (Connector)	9702309015		868	PCB Holder	9359736004	
286	Shaft Holder Bracket	9359686002		875	Filter PCB Assy	9702399023	
321	Flap Assy	9359731009		876-1	Step Motor-H	9360479013	
329	Coupling Pipe Assy	9360456007		876-2	Step Motor-V	936037026	

OUTDOOR UNIT

Ref. No.	Description	Part No.	Order Q'ty	Ref. No.	Description	Part No.	Order Q'ty
2	Fan Cover	9359150015		333-2	Accumulator Assy	9362425001	
4	Emblem-Rear	9351355005		334	Suction Pipe-B	9352287008	
5	Cabinet-A, Painted	9352146015		405	Clamp No. 1763	313816345304	
6	Cabinet-C, Painted	9352149016		407	Clamp (Cable) No.1259	313739340109	
9	Cabinet-B, Painted	9352147012		425	Earth Terminal	9355678001	
12	Base Assy, Painted	9352136016		450	Discharge Pipe Assy	9364604008	
15	Dryer	935337890006		527	Protection Net	9352163012	
16-1	Condenser-A Assy	9355338011		549	Thermostat Outdoor	9703215001	
16-2	Condenser-B Assy	9353363008		620	Inlet Pipe (Cond.) Assy	9353183002	
26	Compressor Cover-A	9353088000		646	Compressor Cover-B	9353368003	
29	Separate Wall Assy	9355277013		734	Cabinet Top Plate, Painted	9352161018	
30	Blower Cover, Painted	9352151019		735	Distributor Assy	9353187000	
32	Control Box Metal	9352134012		788	Thermostat Overheat	9354061002	
34	Capacitor (Fan Motor)	9357965024		803	Cabinet-D, Painted	9359148012	
37	Running Capacitor	9703107030		805	Blower Cover Corner	9352160011	
38	Capacitor Clamp Metal	313468061808		808	Inlet Pipe (Accumulator)	9352285004	
39	Propeller Fan Assy	9300855013		809	Ball Valve-A	9357976006	
41	Fan Motor Assy-OUT	9600266038		810	Ball Valve-B	9357982007	
45	Bracket (Motor) Assy	9352141003		812	Grip	9352157004	
46	Compressor Assy	9364601007		813	Cabinet-Hook	9352148002	
48	Bracket (Coupler) Assy	9355281010		817	Thermostat-Fixture	9352164019	
55	Special Nut M8 (For Comp.)	313252257701		821	Joint Pipe (Valve-B) Assy	9352284007	
107	Rubber Seat-A (For Comp.)	313102081406		822	Fan Cover Fixture-A	9352158018	
108	Sleeve-A (For Comp.)	313696081700		823	Fuse Holder	0500802111	
109	Terminal Cover (For Comp.)	9352456022		824-2	Fuse	0600106522	
111	Terminal Packing	9352456001		826	Condensing Pipe-B	9353215000	
185	Rubber Bushing	313005066051		833	Auxiliary Pipe Assy	9355292016	
218-3	Power Relay	9353619006		863	Joint Pipe (Capillary)-B	9364728001	
259	Muffler	313755083903		917	Terminal-8P	9359456001	
320-1	Wire Clamp Metal	313483219905					

CONTROLLER PCB ASSEMBLY (Ref. No. 236)

When you order parts, please make a photocopy of this page and fill the number of the parts in the "Order" column.

Ref. No.	Description	Part No.	Order Q'ty	Ref. No.	Description	Part No.	Order Q'ty
IC1	IC μ PD78014HCW-013	9702426026		C5	Cap. Elec. 450V 100 μ F	0300256060	
IC3	IC NJM7805FA	0100462081		C6	Cap. Plastic 4700pF	0300269091	
IC4~6	IC μ PA2003GR	0100028041		C7	Cap. Plastic 50V 0.047 μ F	0300169339	
IC7	IC NM93C46M8-X	0101622026		C8	Cap. Elec. 25V 100 μ F	0301197560	
IC8	IC PST600CMTR	0101461120		C9	Cap. Elec. 25V 1000 μ F	0301196495	
IC9	Photocoupler TLP621(D4)-GB	0000117074		C10,33,36,41	Cap. Elec. 25V 10 μ F	0301192312	
Q1	Xstr 2SC4236	0000164047		C12	Cap. Elec. 25V 1000 μ F	0301158264	
Q2	Xstr 2SC1740S	0000699235		C13,15,34,37,39,44,45,47	Cap. Ceramic 50V 0.1 μ F	0300311752	
Q3,4	Xstr DTC124EKA	0000936033		C14	Cap. Elec. 25V 100 μ F	0301192350	
D1	Diode D3SB60	0000689045		C16-31,38,40,42,46,49	Cap. Ceramic 50V	0300311738	
D2,4,7	Diode D1FL20U	0000746519		C32,35,43,50-53	Cap. Ceramic 50V 1000pF	0300308509	
D3	Diode MTZJ5.1B	0000852166		C54	Cap. Ceramic 0.01 μ F	0300209127	
D5	Diode 1SR139-600	0000353120		K4	Relay JQ1-12V	9701316014	
D6	Diod D2FL20U	0000906500		SSR1	Relay G3M-202PL-US	9700234012	
D8	Diode D1F60	0000208024		VA1	Varistor TNR12G471K	0000038010	
D9	Diode DA226U	0000625036		X1	Ceramic Resonator EF0EC8384T4	9701261017	
D12	Diode DAN202K	0000684019		BZ1	Buzzer PKM13EPY-4000-TF01	9701298013	
R1	Res. Cement 5W 3.3 Ω \pm 10%	0200244372		T1	Switching Transformer ETS28AS118AH	9702727017	
R2	Res. Metal 2W 1.5 Ω \pm 5%	0201107119		CR1	CR Absorber RPEL-121204-C	9701125012	
R3	Res. 1/10W 100 Ω \pm 5%	0200212500		CN1	Plug, PCB B2P3-VH-B-C	0500011773	
R4	Res. Carbon 1W 220k Ω \pm 5%	0200111353		CN4	Plug, PCB B2P3-VH-B-Y	0500011827	
R5	Res. Metal 2W 47k Ω \pm 5%	0201107652		CN5	Plug, PCB B3P5-VH-B	0500011735	
R6	Res. 1/2W 100 Ω \pm 5%	0200731506		CN6	Plug, PCB B2P3-VH-B-E	0500011759	
R7	Res. 1/4W 330 Ω \pm 5%	0200708621		CN7	Plug, PCB B2B-XAKK-1-A	0501045227	
R8,10,13,15-17,21-24,29-32,37,39,48,50,52,53,55,59,68	Res. 1/10W 390 Ω \pm 5%	0200212647		CN8	Plug, PCB B2B-XASK-1-A	0501045012	
R9,47	Res. Metal 1W 56k Ω \pm 5%	0201106662		CN9	Plug, PCB B5P-SHF-1AA	0500006069	
R11	Res. 1/10W 1k Ω \pm 5%	0200212746		CN10	Plug, PCB B5B-XASK-1-A	0501045043	
R12,18-20,25-28,33-36,38,42,44,46,49,51,56-58,67	Res. 1/10W 4.7k Ω \pm 5%	0200212906		CN11	Plug, PCB B5B-XARK-1-A	0501045517	
R40,41	Res. 1/10W 10k Ω \pm 5%	0200279497		CN12	Plug, PCB B3B-XASK-1-A	0501045029	
R43	Res. 1/10W 49.9k Ω \pm 5%	0200279824		CN13	Plug, PCB B8B-XASK-1-A	0501045074	
R45	Res. 1/10W 47 Ω \pm 5%	0200212425		CN14	Plug, PCB B4B-XH-AM	0500005314	
R54	Res. 0 Ω	0200212012		CN15	Plug, PCB B3B-XARK-1-A	0501045319	
CJ1,2,JM7				CN16	Plug, PCB B3P-VH-B	0500011520	

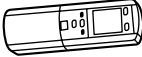


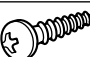


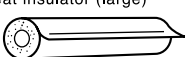
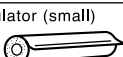
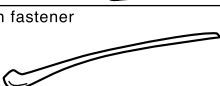


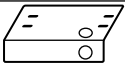
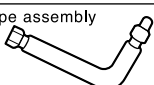
FILTER PCB ASSEMBLY (Ref. No. 875)

Ref. No.	Description	Part No.	Order Q'ty	Ref. No.	Description	Part No.	Order Q'ty
C101,102	Cap. Plastic 0.22 μ F	0300304099		F101	Fuse MT3 3A-250V	0600239527	
SA101	Arrester DSA-362MA-05	0600168032		E101	Wire w/Terminal L=100GRN	9702313012	
VA101,102	Varistor TNR12G471K	0000038010		W101	Wire w/Terminal L=180BLK	9702066079	
TM101,102	Plug, Contact 86028	0500536016		W103,104	Wire #18 2P	9702419028	
LF101	EMI Filter ELF17N015A	0400197009					

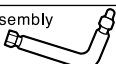
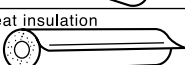
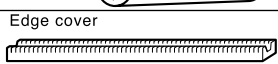
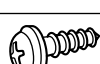

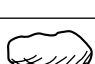
INDICATOR PCB ASSEMBLY (Ref. No. 385)

Ref. No.	Description	Part No.	Order Q'ty	Ref. No.	Description	Part No.	Order Q'ty
PHA201	Remote control Amplifier SBX1810-22	0101525129		R201~204	Res. Carbon 1/4W 330 Ω \pm 5%	0201038659	
D201	Diode SLR-325VC RED	0000813259		SW201	Switch EVQ-PAG-04K	9700450016	
D202	Diode SLR-325MC GRN	0000813242		C201	Cap. Ceramic 0.1 μ F	0300988251	
D203,204	Diode SLR-325DC ORG	0000813235		C202	Cap. Elec. 25V 10 μ F	0300004258	
				CN201	Wire w/Connector JC/XMR	9702264017	

INDOOR UNIT ACCESSORIES

Name and Shape	Q' ty	Application	ABU36
Remote control unit 	1	Use for air conditioner operation	9359913108 (AR-DL10)
Battery (penlight) 	4	For remote control unit	0600185534
Remote control unit holder 	1	For mounting the remote control unit	9359955016
Tapping screw (φ3 x 12) 	3	For remote control unit holder installation	301141533125
Drain hose insulation 	1	Adhesive type 70 x 230	9360464002
VT wire 	1	For fixing the drain hose L280mm	313806350303
Coupler heat insulator (large) 	2	For indoor side pipe joint (large pipe)	9350716029
Coupler heat insulator (small) 	1	For indoor side pipe joint (small pipe)	9352766015
Nylon fastener 	Large 4	For fixing the coupler heat insulator	9301501001
	Small 4		312300787605
Special nut A (large flange) 	4	For installing indoor unit	313005446653
Special nut B (large flange) 	4	For installing indoor unit	313005446759
Installation template 	1	For positioning the indoor unit	9360022004
Auxiliary pipe assembly 	1	For connecting the piping	9360463005

OUTDOOR UNIT ACCESSORIES

Name and Shape	Q' ty	Application	AOU36
Auxiliary pipe assembly 	1	For connecting the pipe	9355292016
Coupler heat insulation 	1	For outdoor side pipe joint	313005074759
Edge cover 	1	For wiring conduit installation hole edge protection	9352436000
Tapping screw 	2	• For cabinet A and cabinet D mounting(1) • Spare(1)	301463040100
Binder 	1	For power cord binding	313035356905
Putty 	1	For sealing	303020200114

Parts Orders

Parts may be ordered from

FUJITSU GENERAL AMERICA, INC.

353 RTE 46 W.

FAIRFIELD NJ 07004 PHONE 1-800-835-6452

FAX 1-973-575-2194

Specify complete Parts No., Model & Description to ensure
correct parts are supplied.

FUJITSU GENERAL AMERICA, INC.
353 ROUTE 46W., FAIRFIELD, N.J. 07004