

**SPLIT TYPE ROOM AIR
CONDITIONER
WALL MOUNTED type**

**SERVICE
MANUAL**

Model	Indoor Unit	Outdoor Unit
	ASU12D	AOU24D

C O N T E N T S

SPECIFICATIONS	1
OUTLINE AND DIMENSIONS	2
REFRIGERANT CYCLE	3
CIRCUIT DIAGRAM	4
CONTROLLER P.C. BOARD OVERLAY	5
DISASSEMBLY ILLUSTRATION.....	7
PARTS LIST	10

S P E C I F I C A T I O N S

INDOOR UNIT	ASU12D	
	1 UNIT	2 UNITS
OUTDOOR UNIT	AOU24D	
COOLING CAPACITY (BTU/hr)	11,300-11,500	11,300x2 -11,500x2
HEATING CAPACITY (BTU/hr)	—	—

ELECTRICAL SPECIFICATIONS

POWER SUPPLY (V)	208 - 230		
FREQUENCY (Hz)	60		
RUNNING CURRENT (A)	COOLING	6.8 - 6.8	11.7 - 11.5
	HEATING	—	
INPUT (W)	COOLING	1,250 - 1,300	2,420 - 2,500
	HEATING	—	
SEER (BTU/W)	10.5		
HSPF (BTU/W)	—		
MOISTURE REMOVAL (#/hr)	1.5	3.0	
AIR CIRCULATION-Hi (m ³ /hr)	520		

COMPRESSOR

TYPE	Hermetic type, Permanent split condenser 2 Pole, Single phase, Induction motor	
CODE	2P19C236ASB 230V 60Hz	
REFRIGERANT R-22 (g)	850	

FAN MOTOR

POWER SUPPLY (V)	230	
INDOOR UNIT	HI-SPEED (r. p. m.)	1,360
	LO-SPEED (r. p. m.)	1,100
OUTDOOR UNIT (r. p. m.)	735	

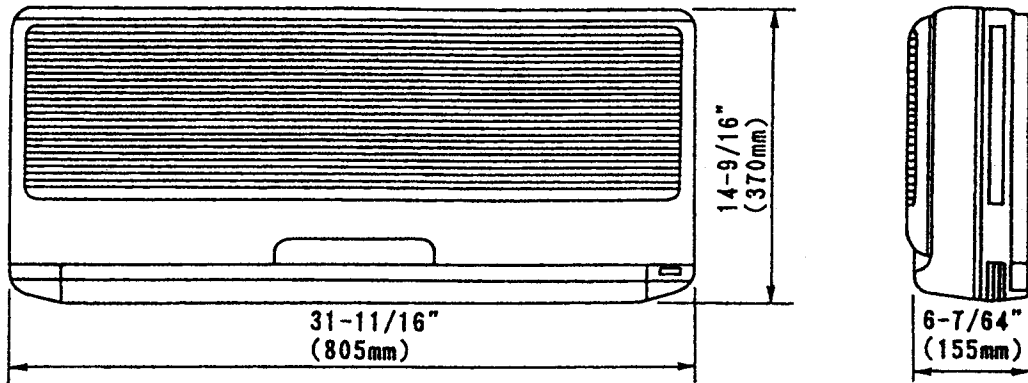
DIMENSIONS

INDOOR UNIT	HEIGHT inch (mm)	14-9/16 (370)
	WIDTH inch (mm)	31-11/16 (805)
	DEPTH inch (mm)	6-3/32 (155)
OUTDOOR UNIT	HEIGHT inch (mm)	25-6/16 (643)
	WIDTH inch (mm)	33-1/16 (840)
	DEPTH inch (mm)	13-3/16 (335)

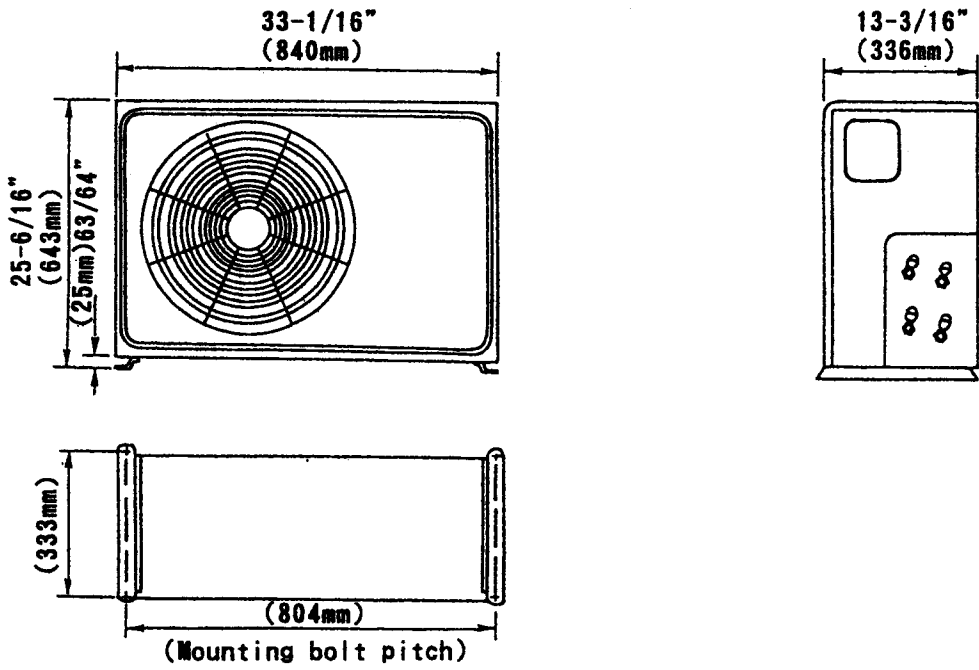
WEIGHT

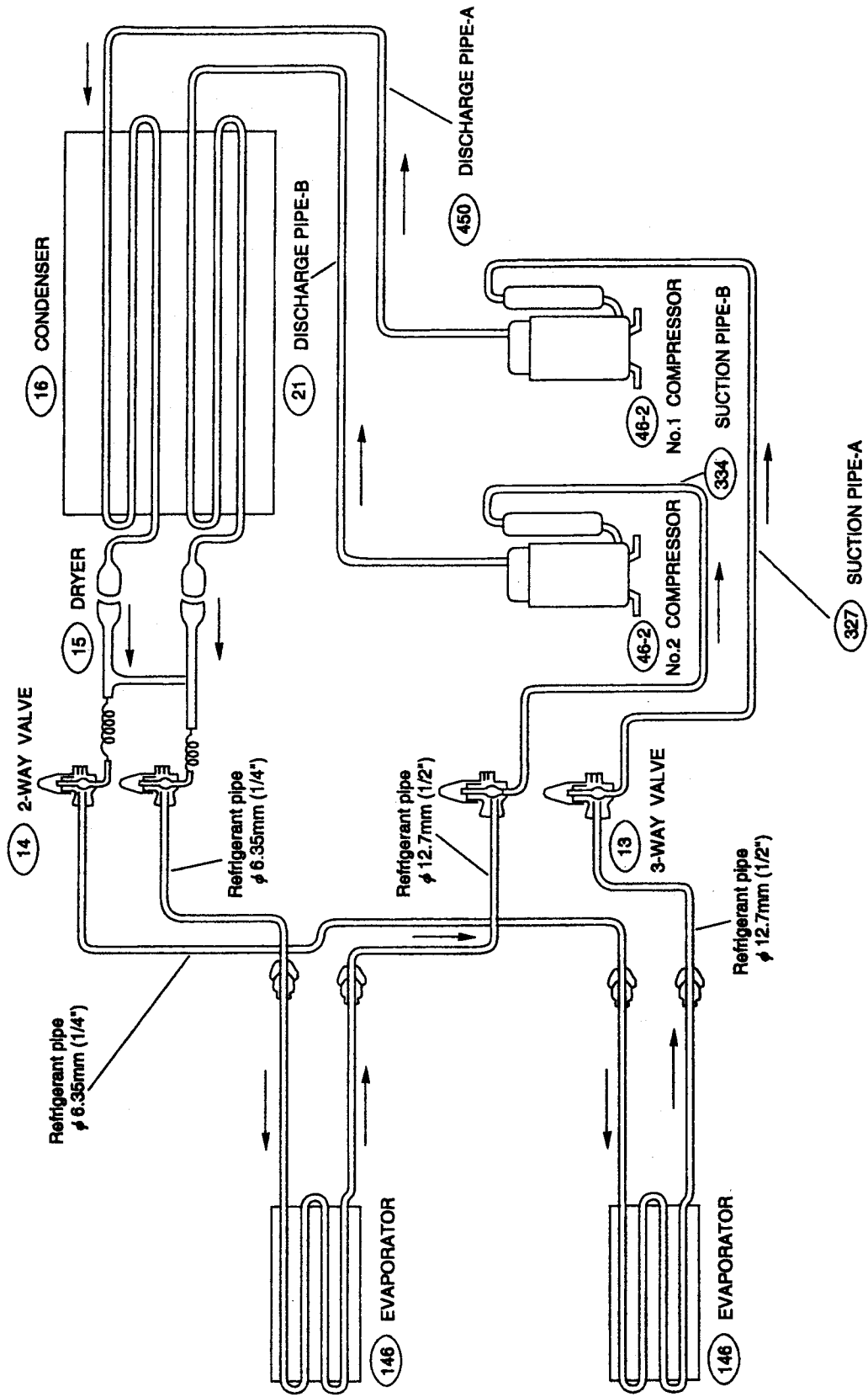
INDOOR UNIT	GROSS/NET lbs. (kg)	29/22 (13/10)
OUTDOOR UNIT	GROSS/NET lbs. (kg)	160/146 (74/66)

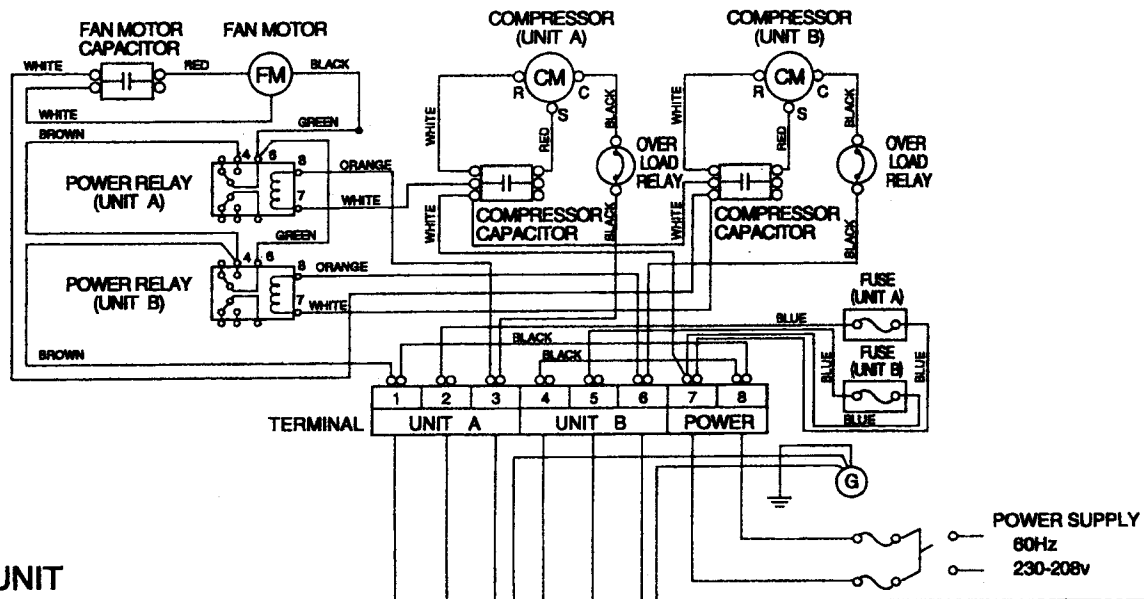
INDOOR UNIT



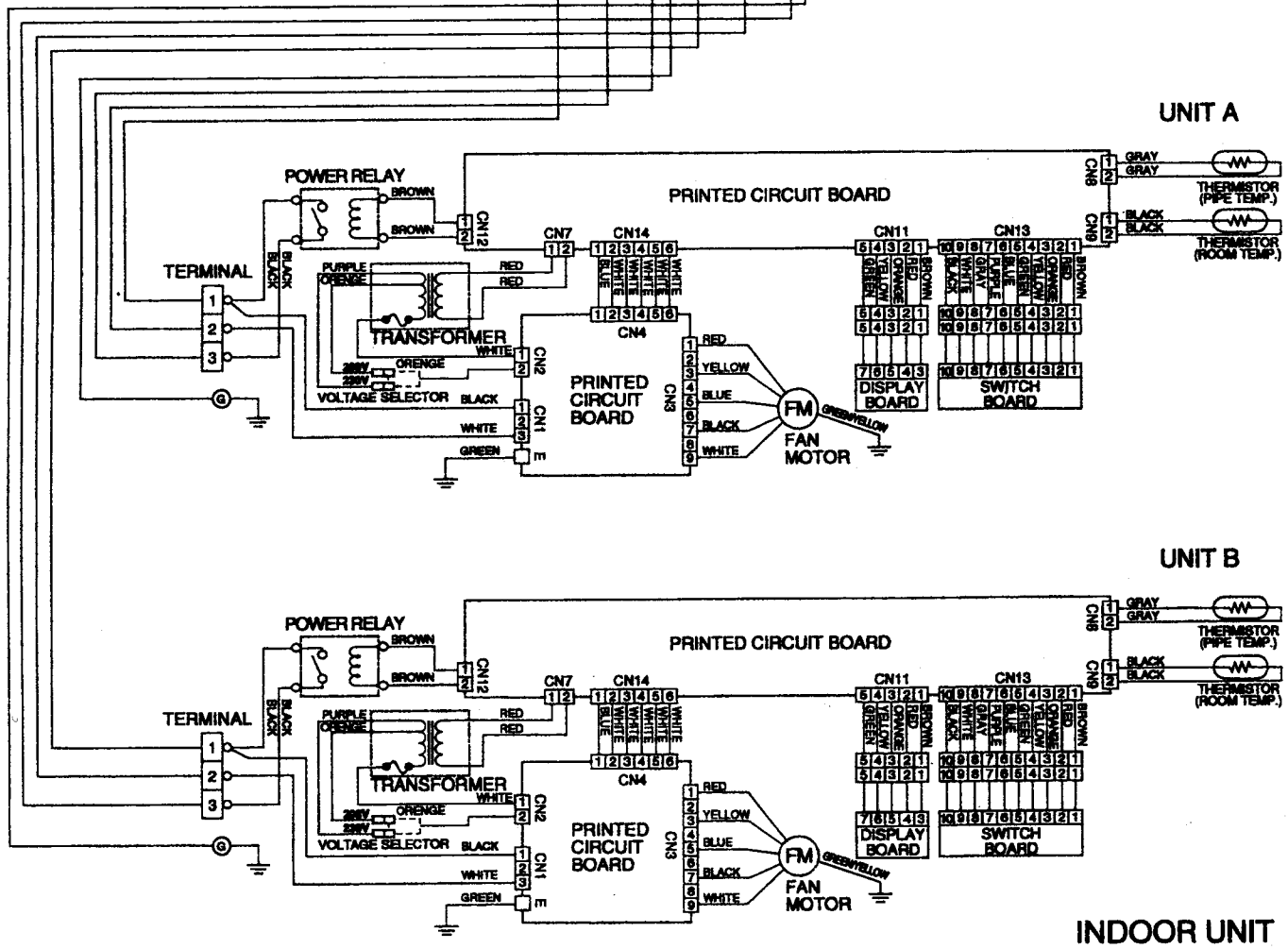
OUTDOOR UNIT





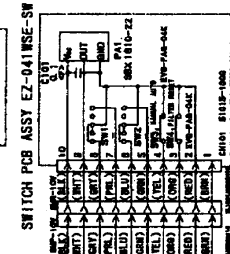
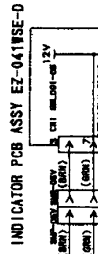
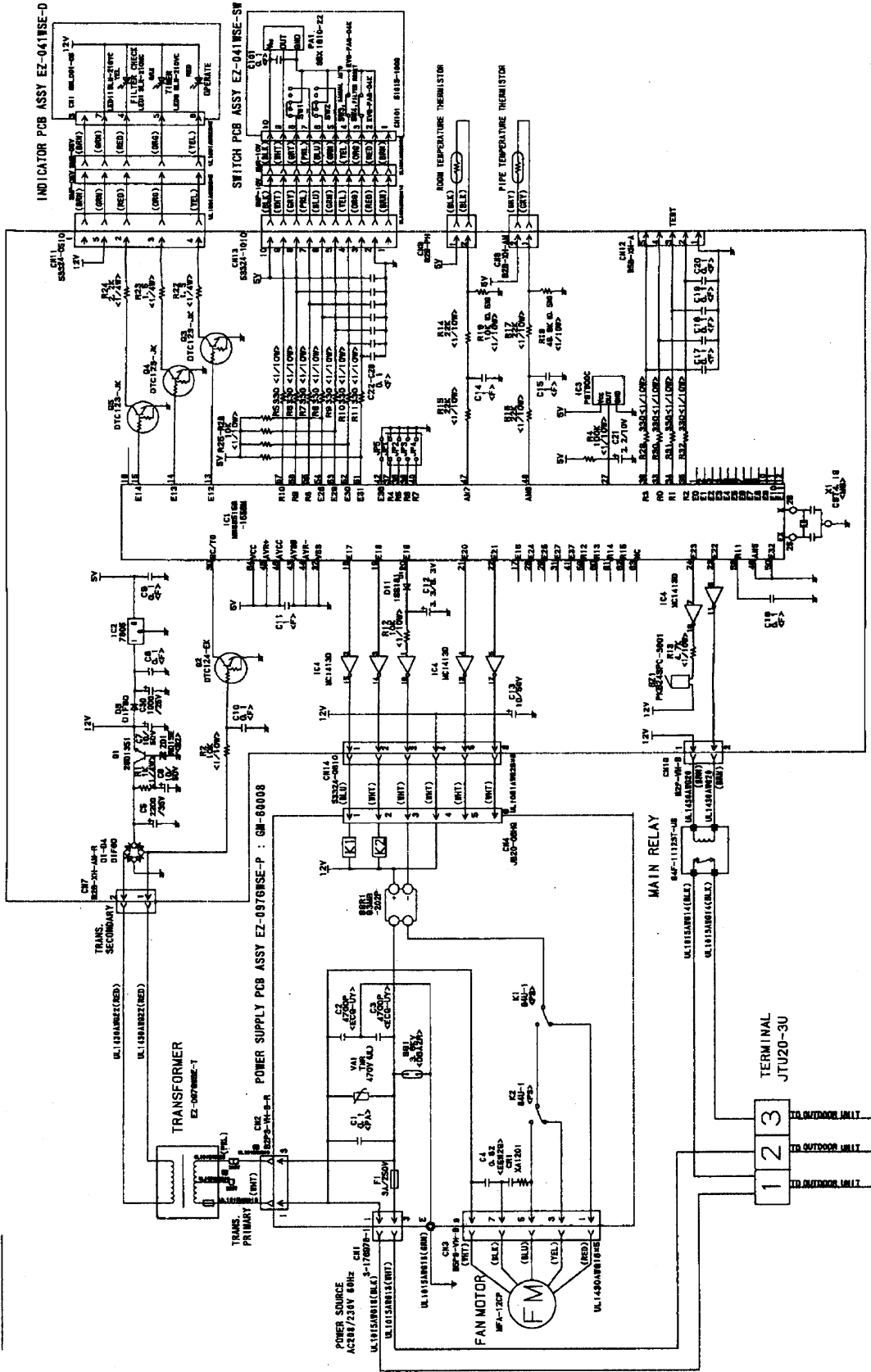


OUTDOOR UNIT



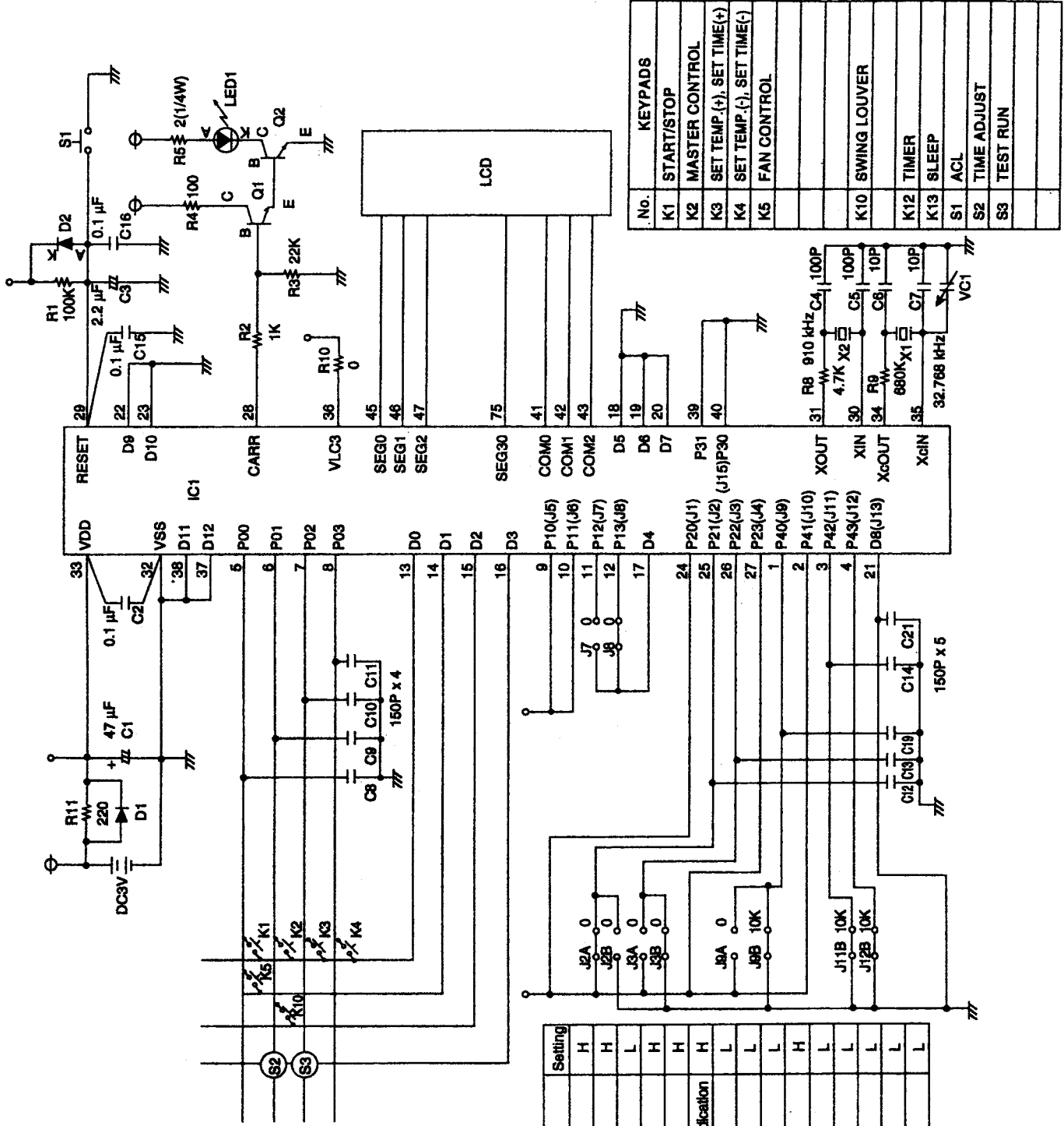
Model : ASU12D

CONTROLLER PCB ASSY(MAIN PCB) EZ-041N5E-C : GE-8656



REMOTE CONTROL UNIT CIRCUIT DIAGRAM

MODEL: **ASU12D**



Jumper Wire Function Selection

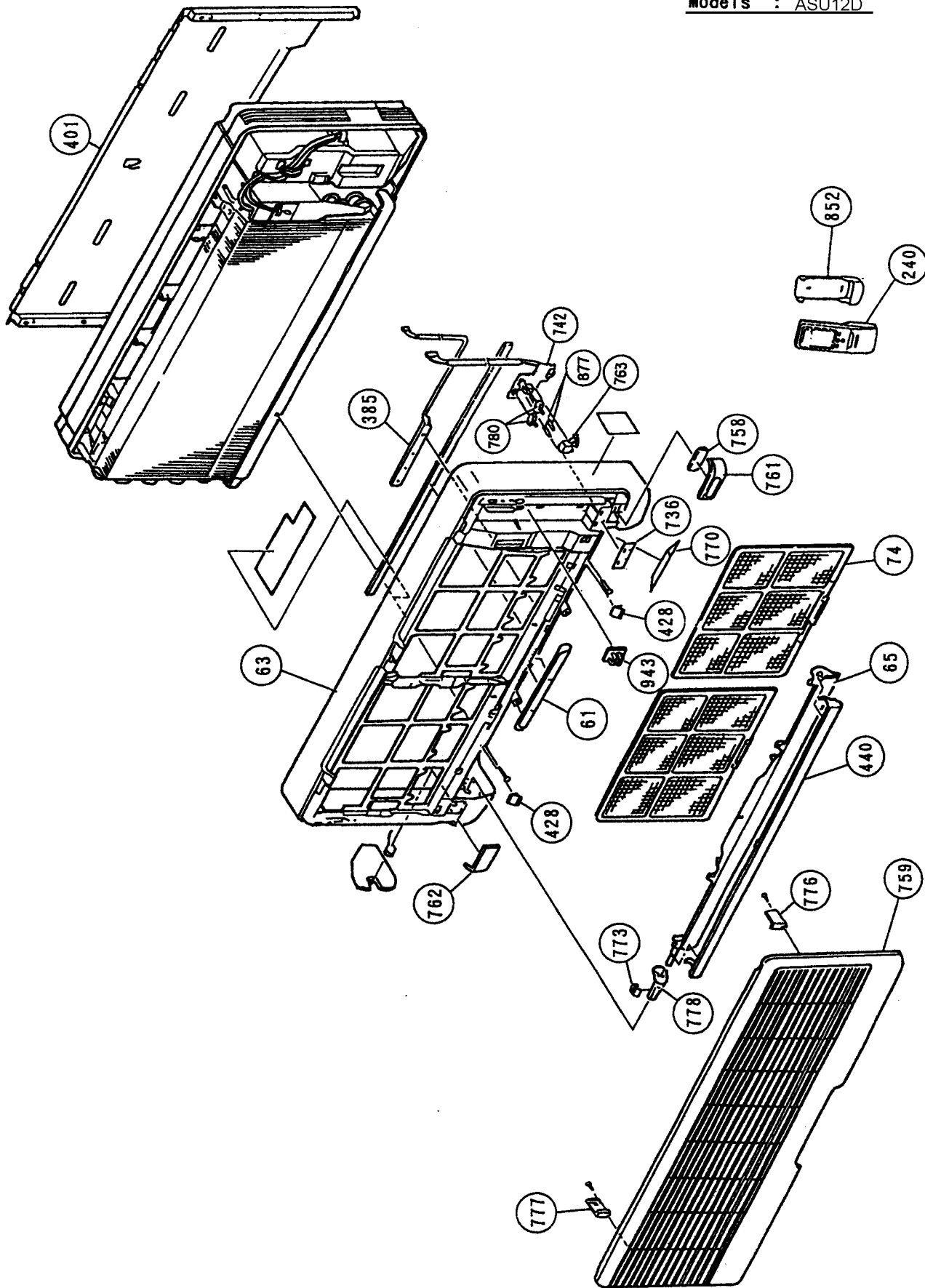
No.	Functions	Setting
J1	Timer button change	H
J2	Transmitter code selector	H
J3	Heating operation	L
J4	Air flow / Auto louver	H
J5	Dry operation	H
J6	Automatic operation temperature indication	H
J7	Fan / Circulator	L
J8	24H / 12H selector	L
J9	Temperature unit selector	L
J10	Fan mode	H
J11	Super quiet	L
J12	Sleep	L
J13	Auto operation selector	L
J14	Remote control selector I	L
J15	Remote control selector II	L

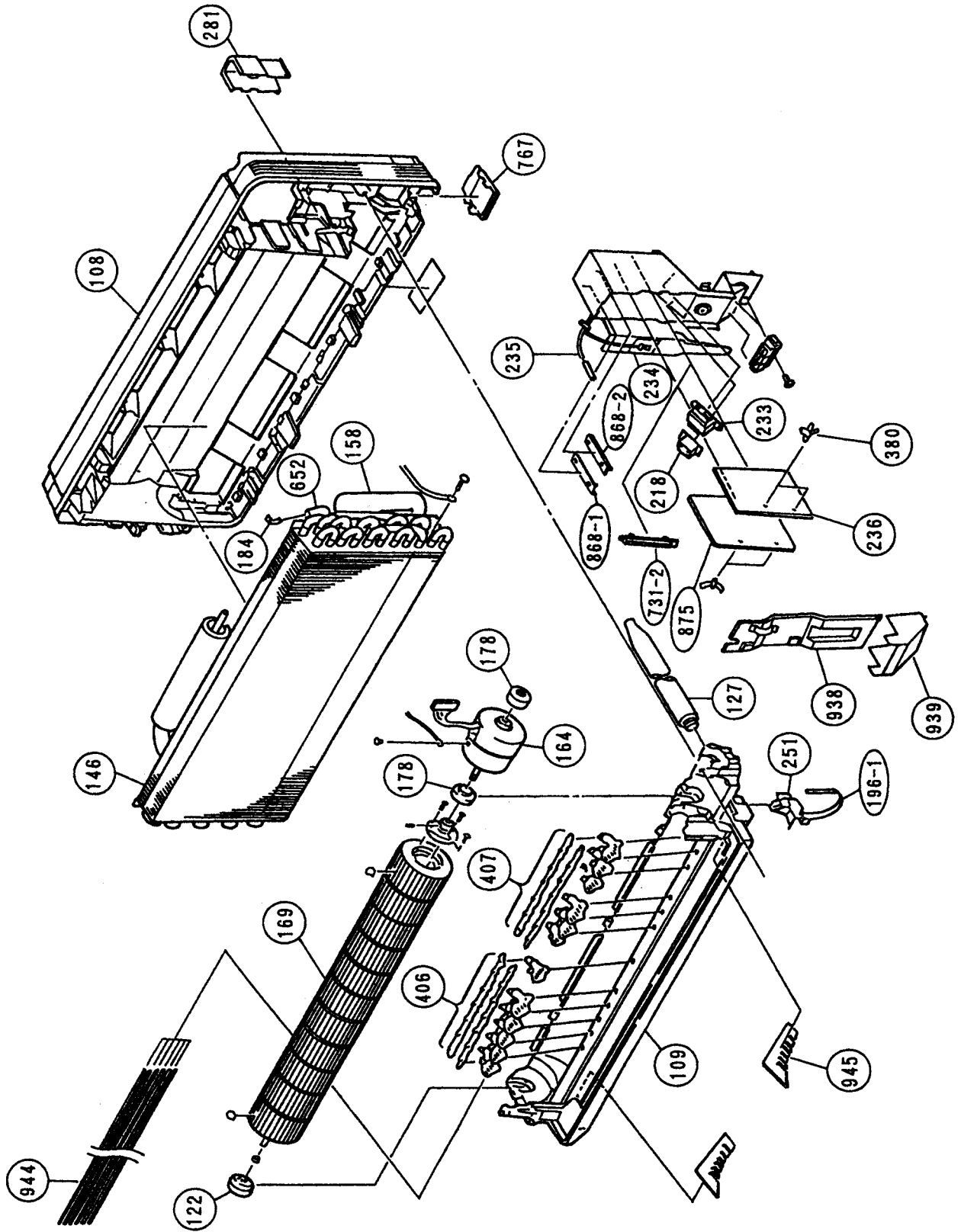
L: Connected to $\bar{\phi}$
H: Connected to ϕ

No.	KEYPADS
K1	START/STOP
K2	MASTER CONTROL
K3	SET TEMP.(+), SET TIME(+)
K4	SET TEMP.(-), SET TIME(-)
K5	FAN CONTROL
K10	SWING LOUVER
K12	TIMER
K13	SLEEP
S1	ACL
S2	TIME ADJUST
S3	TEST RUN

DISASSEMBLY ILLUSTRATION

Models : ASU12D





PARTS LIST

When you order parts, please make a photocopy of this page and fill the number of the parts in the "Order" column.

INDOOR UNIT

Ref. No.	Description	Part No.	Order
		ASU12D	Q'ty
61	Decoration Plate	K9351169022	
63	Front Panel Assy	K9389287064	
65	Flow Cont. Panel-Z	K9302054018	
74	Filter	K9300772037	
108	Base	K9300774017	
109	Casing	K9300775014	
122	Shaft Holder-B	K9303066010	
127	Drain Hose Assy	K9304159018	
146	Evaporator Assy	K9303403006	
151	Control Box Assy	K9305468003	
158	Connecting Pipe Assy	K9352308017	
164	Fan Motor Assy-IN	K9354017115	
169	Cross-Flow Fan Assy	K9300251013	
178	Motor Cushion-A	K9300795012	
184	Thermistor Spring-A	K313728262708	
196-1	Clamp SKB-3M	K312300787605	
218	Power Relay G4F-11123T	K313728310308	
233	Power Transformer	K9702182014	
234	Thermistor Assy	K9701388011	
235	Thermistor Assy (Indoor Pipe Temp.)	K9701387014	
236	Controller PCB Assy	K9701267019	
240	Remote Control Unit	K9356602050	
251	Hose Clamp(Drain Hose)	K9302237008	
281	Clamp(Pipe)-A	K9300780018	
283	Bushing-A	K9301888010	
380	Locking Spacer KGLS-6S	K313209391403	
385	Indicator PCB Assy	K9701268016	
401	Wall Hook Bracket	K9300798013	
406	Louver-L Assy	K9355997010	
407	Louver-R Assy	K9355996013	
428	Screw Cap	K9300799034	
731-2	Guide Rail GR-80S	K0600241018	
736	Operation Panel-B	K9351170004	
742	Switch PCB Assy EZ-041WSE-SM	K9701269013	
758	Decoration Plate-A	K9300811033	
759	Intake Grille(B-type)	K9389298015	
761	Side Cover-R (Front Panel)	K9300806060	
762	Side Cover-L (Front Panel)"FUJITSU"	K9302546018	
763	Receiver Cover	K9300844017	
767	Bottom Cover	K9300777018	
770	Deflection Plate	K9351196011	
773	Friction Spring (Front Panel)	K9300977005	
776	Intake Grille Hook-R	K9301095012	
777	Intake Grille Hook-L	K9301096019	
778	Flow C. Panel Spacer	K9302055015	
780	Key Top-B (Slide Switch)	K9300839006	
815	Terminal-3P	K9305488018	
868-1	PCB Holder-R, Plastic	K9305792009	
868-2	PCB Holder-L, Plastic	K9305793006	
875	Power Sup. PCB Assy	K9702295011	
877	Receiver Cover Button	K9303116012	
938	Cont. Box Cover-Up Assy	K9305474004	
939	Control Box Cover-Lo	K9305477005	
944	Rod For Louver	K9355892001	

When you order parts, please make a photocopy of this page and fill the number of the parts in the "Order" column.

OUTDOOR UNIT

Ref. No.	Description	Part No.	Order Q'ty	Ref. No.	Description	Part No.	Order Q'ty
		AQU24D				AQU24D	
2	Fan Cover	K9355498005		55	Special Nut M8 (For Comp.)	K313252257701	
4	Emblem-Rear "FUJITSU"	K9351355005		67	Rubber (Vibration-proof)	K313659068604	
5	Cabinet, Painted (Front)	K9303876015		107	Rubber Seat(For Comp.)-A	K9358080009	
6	Cabinet-C, Painted (Side)	K9352674006		109	Terminal Cover (For Comp.)	K9351048013	
7	Connector Cover	K9357971018		187	Purce Rock No. 1219	K313361271708	
9	Cabinet-B, Painted (Back)	K9353629012		199	BR Sheet	K313612108209	
10	Insulation-E	K313791106305		218-1	Power Relay	K9351553012	
12	Base, Painted	K9352577017		230	Overload Relay(OCR)	K9359752004	
13	3-Way Valve	K9359750000		297	Capillary Joint Pipe	K9355720007	
14	2-Way Valve	K9357987004		326	Bracket(Compressor) Assy	K9352545009	
15	Dryer	K313791082502		327	Suction Pipe-A	K9359483007	
16	Condenser Assy	K9359488002		334	Suction Pipe-B	K9359484004	
19-1	Capillary Tube-A	K9359487005		338	Motor Fixing Table	K313029297108	
19-2	Capillary Tube-B	K9359486008		365	Base Fixing 3-Way Valve, Painted	K9355842020	
21	Discharge Pipe-B	K9359482000					
29	Separate Wall	K313111033209		412	Terminal Gasket(For Comp.)	K9351051013	
32	Control Box Metal-A	K9359505006		423	Noise Insulation-F	K9350944019	
34	Capacitor (Fan Motor)	K9355306010		450	Discharge Pipe-A	K9359481003	
37	Capacitor (Running)	K9356386059		646	Compressor Cover-B	K9354791008	
38	Clamp Metal (Capacitor)	K313468061808		812	Grip	K313111178702	
39	Propeller Fan Assy	K9300855013		815	Terminal-8P	K9357123028	
41	Fan Motor-Outer	K9351333133		823	Fuse Holder	K0500802111	
45	Motor Fixing Table Assy	K313029311100		940	Hole Plug	K9355891004	
48	Compressor Assy	K9359550006		941	Conduit Plate	K9359468011	
51	Special Nut M5 (For Comp.)	K9300301015					

CONTROLLER PCB ASSEMBLY (Ref. No. 236)

(): Reverse cycle model only

Ref. No.	Description	Part No.	Order Q'ty	Ref. No.	Description	Part No.	Order Q'ty
IC1	IC MB88515B-1556M	K1903318018		JC1-13, R3	Res. 0Ω	K8405904871	
IC2	IC KIA7805PI	K0101830513		C5	Cap. Elec. 35V 2200 μF	K0301208033	
IC3	IC PST600CMTR	K0101461120		C8, 7, 13	Cap. Elec. 50V 10 μF	K0300003145	
IC4	IC MC1413D	K0101736013		C8-10, 16-20, 22-28	Cap. Ceramic 0.1 μF	K1902783046	
Q1	Xstr 2SD880	K0000001014					
Q2	Xstr DTC124EK	K0000517034		C11, 14, 15	Cap. Ceramic 1.0 μF	K1800119015	
Q3-5	Xstr DTC123JK	K0000519069		C12	Cap. Elec. 6.3V 3.3 μF	K1902835028	
D1-5	Diode D1F60	K0000208024		C21	Cap. Elec. 10V 2.2 μF	K1902841029	
D6	Diode 1SS181	K0000237024		C30	Cap. Elec. 25V 1000 μF	K0300631256	
ZD1	Diode RD15EB2	K0000316019		HT	Heat Sink PUE-16	K1901992012	
R1	Res. 1/4W 1kΩ ±5%	K1800700015		XI	Ceramic Resonator CST4. 19-MGW-TF01	K1300216016	
R2, 12, 25-28	Res. 1/10W 10kΩ ±5%	K8405902525		BZ1	Buzzer PKB24SPC-3601	K1800694017	
R14, 15, 17, 18	Res. 1/10W 22kΩ ±5%	K8405902605		CN7	Plug, PCB B2B-XH-AM RED	K0500005345	
R4	Res. 1/10W 100kΩ ±5%	K8405902764		CN8	Plug, PCB B2B-XH-AM	K0500005321	
R5-11, 29-32	Res. 1/10W 330Ω ±5%	K8405902161		CN9	Plug, PCB B2B-PH-K-S	K0500200016	
R13	Res. 1/10W 4.7kΩ ±5%	K8405902449		CN10	Plug, PCB B2P-VH-B	K0500011124	
R16	Res. 1/10W 10kΩ ±0.5%	K0201027257		CN11	Plug, PCB 53324-0510	K0501052041	
R19	Res. 1/10W 49.9kΩ ±0.5%	K0201027554		CN12	Plug, PCB B2B-XH-A	K0500005093	
R22, 23	Res. 1/4W 1.5kΩ ±5%	K1800700022		CN13	Plug, PCB 53324-1010	K0501052096	
R24	Res. 1/4W 2.2kΩ ±5%	K1800700039		CN14	Plug, PCB 53324-0610	K0501052058	
				JP5-8(JP2)	Jumper Wire IPS-3002-4	K1903332014	

When you order parts, please make a photocopy of this page and fill the number of the parts in the "Order" column.

POWER SUPPLY PCB ASSEMBLY (Ref. No. 875)

(): Reverse cycle model only

Ref. No.	Description	Part No.	Order Q' ty	Ref. No.	Description	Part No.	Order Q' ty
C1	Cap. Plastic 250V 0.1 μF	K0300894835		C4	Cap. (ASU12D) 0.82 μF	K0300931042	
C2, 3	Cap. Plastic 250V 4700pF	K0300180099		CN1	EEN2G824JWN101		
C4	Cap. Plastic (ASUBASA) 2.7 μF	K0300931103		CN2	Plug. PCB 3-176976-1	K0500891054	
C4	Cap. Plastic (ASU12ASA) 3.2 μF	K0300931110		CN2	Plug. PCB 82P3-VH-B-R	K0500011766	
CR1(CR2, 3)	Network XA1201-C	K1300241018		CN3	Plug. PCB BSP9-VH-B	K0500011780	
F1	Fuse 3A-250V	K0600239015		CN4	Wire w/Terminal L=150	K1300239015	
VA1	Varistor ERZ-V10D271	K0000515085		E	Wire w/Terminal GRN L=180	K1300240011	
SG1	Surge Absorber DSAZR2-362M	K0600208035		JP1-3	Jumper Wire IPS-3002-7	K0600243012	
SSR1	Relay G3MB-202PL DC12V	K9701022014		JP4	Jumper Wire IPS-3002-4	K1903332014	
K1, 2(K3, 4)	Relay G4U-1-PS DC12V	K9700997016		(CN5)	Wire w/Terminal BLU L=330	1300523015	
VA1	Varistor (ASU12D) TNR12G471K	K0000038010		(CN6)	Wire w/Terminal RED L=330	1300523022	
SSR1	Relay (ASU12D) G3MB-202P DC12V	K1301080012					

SWITCH PCB ASSEMBLY (Ref. No. 742)

Ref. No.	Description	Part No.	Order Q' ty	Ref. No.	Description	Part No.	Order Q' ty
SW1, 2	Switch, Slide SLD-13-503	K9700352013		CN101	Wire w/Connector L=580	K9701286010	
SW3, 4	Switch, Push EVQ-PAG-04K	K9700450016			Key Top-B	K9300839006	
PA1	Remote Controller Amplifier SBX-1610-22	K0100417050			Receiver Cover	K9300844017	
C101	Cap. Ceramic 50V 0.1 μF	K0300258118			Switch Knob (Power Switch)	K9303116012	

INDICATOR PCB ASSEMBLY (Ref. No. 385)





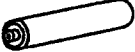





Ref. No.	Description	Part No.	Ord. Q' ty
LED6	Wire w/Connector SBL001/SMR-N UL1061 L=720	K9701287017	
LED11	Diode SLN210VC RED	K0000349123	
LED1	Diode SLN210VC YEL	K0000349130	
	Diode SLN210MC GRN	K0000349116	

ADDITIONAL REFRIGERANT CHARGE

PIPE LENGTH	ASU9	ASU9R	ASU12	ASU12R
16 ft. (5 m)	790 g (27.9 oz.)	800 g (28.2 oz.)	1,200 g (42.3 oz.)	1,200 g (42.3 oz.)
23 ft. (7 m)	822 g (29.0 oz.)	832 g (29.3 oz.)	1,232 g (43.5 oz.)	1,232 g (43.5 oz.)
33 ft. (10 m)	870 g (30.7 oz.)	880 g (31.0 oz.)	1,280 g (45.1 oz.)	1,280 g (45.1 oz.)

Note : Between 5 m and 10 m, when using a connection pipe other than that shown in the table, charge additional refrigerant with 16 g(0.56 oz.)/1 m(3.3 ft.) as the criteria.

STANDARD ACCESSORIES

Name and shape	Part No.
<p>Wall hook bracket</p> 	<p>K9300798013</p>
<p>Wall cap</p> 	<p>K313714296205</p>
<p>Pipe insulation</p> 	<p>ASU9 K9301033014 ASU12 K9304305002 ASU12R K9304305002</p>
<p>Remote control unit</p> 	<p>ASU9 K9356602050 (AR-AB12) ASU9R K9356602043 (AR-AB11) ASU12 K9356602050 (AR-AB12) ASU12R K9356602043 (AR-AB11) ASU12D K9356602050 (AR-AB12)</p>
<p>Battery (AAA size)</p> 	<p>K313187358304</p>
<p>Tapping screw (Big) (ϕ 4\times 20)</p> 	<p>K301141164200</p>
<p>Tapping screw (Medium) (ϕ 4\times 10)</p> 	<p>K301141164102</p>
<p>Tapping screw (Small) (ϕ 3\times 12)</p> 	<p>K301141533125</p>
<p>Hexagon wrench</p> 	<p>K9351228019</p>
<p>Remote controller holder</p> 	<p>K9305642014</p>

Parts Orders

Parts may be ordered from

FUJITSU GENERAL AMERICA, INC .

353 RTE 46 W.

FAIRFIELD NJ 07004 PHONE 1-973-575-0380

FAX 1-973-575-2194

Specify complete Part No., Model & Description to ensure
correct parts are supplied.

FUJITSU GENERAL AMERICA, INC.
353 RT. 46 W., FAIRFIELD, NJ 07004

MAY 2000